

# Головки электротермические, 2-х проводные 1909-1919-1929-1939 Технические характеристики

По вопросам продаж и поддержки обращайтесь:

Алматы (7273)495-231  
Ангарск (3955)60-70-56  
Архангельск (8182)63-90-72  
Астрахань (8512)99-46-04  
Барнаул (3852)73-04-60  
Белгород (4722)40-23-64  
Благовещенск (4162)22-76-07  
Брянск (4832)59-03-52  
Владивосток (423)249-28-31  
Владикавказ (8672)28-90-48  
Владимир (4922)49-43-18  
Волгоград (844)278-03-48  
Вологда (8172)26-41-59  
Воронеж (473)204-51-73  
Екатеринбург (343)384-55-89

Иваново (4932)77-34-06  
Ижевск (3412)26-03-58  
Иркутск (395)279-98-46  
Казань (843)206-01-48  
Калининград (4012)72-03-81  
Калуга (4842)92-23-67  
Кемерово (3842)65-04-62  
Киров (8332)68-02-04  
Коломна (4966)23-41-49  
Кострома (4942)77-07-48  
Краснодар (861)203-40-90  
Красноярск (391)204-63-61  
Курск (4712)77-13-04  
Курган (3522)50-90-47  
Липецк (4742)52-20-81

Магнитогорск (3519)55-03-13  
Москва (495)268-04-70  
Мурманск (8152)59-64-93  
Набережные Челны (8552)20-53-41  
Нижегород (831)429-08-12  
Новокузнецк (3843)20-46-81  
Ноябрьск (3496)41-32-12  
Новосибирск (383)227-86-73  
Омск (3812)21-46-40  
Орел (4862)44-53-42  
Оренбург (3532)37-68-04  
Пенза (8412)22-31-16  
Петрозаводск (8142)55-98-37  
Псков (8112)59-10-37  
Пермь (342)205-81-47

Ростов-на-Дону (863)308-18-15  
Рязань (4912)46-61-64  
Самара (846)206-03-16  
Санкт-Петербург (812)309-46-40  
Саратов (845)249-38-78  
Севастополь (8692)22-31-93  
Саранск (8342)22-96-24  
Симферополь (3652)67-13-56  
Смоленск (4812)29-41-54  
Сочи (862)225-72-31  
Ставрополь (8652)20-65-13  
Сургут (3462)77-98-35  
Сыктывкар (8212)25-95-17  
Тамбов (4752)50-40-97  
Тверь (4822)63-31-35

Тольятти (8482)63-91-07  
Томск (3822)98-41-53  
Тула (4872)33-79-87  
Тюмень (3452)66-21-18  
Ульяновск (8422)24-23-59  
Улан-Удэ (3012)59-97-51  
Уфа (347)229-48-12  
Хабаровск (4212)92-98-04  
Чебоксары (8352)28-53-07  
Челябинск (351)202-03-61  
Череповец (8202)49-02-64  
Чита (3022)38-34-83  
Якутск (4112)23-90-97  
Ярославль (4852)69-52-93

Россия +7(495)268-04-70

Казахстан +7(7172)727-132

Киргизия +996(312)96-26-47

эл.почта: [fro@nt-rt.ru](mailto:fro@nt-rt.ru) || сайт: <https://far.nt-rt.ru/>

## THERMOELECTRIC ACTUATORS

### 2 wired thermoelectric actuator



Code	Voltage	Type	Opening time
1909	24V	N.C.	180s
1919	230V	N.C.	180s
1929	24V	N.O.	180s
1939	230V	N.O.	180s

### 4 wired thermoelectric actuator with auxiliary micro-switch



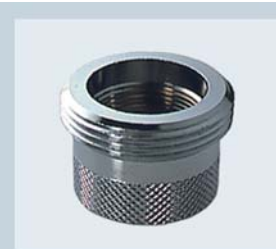
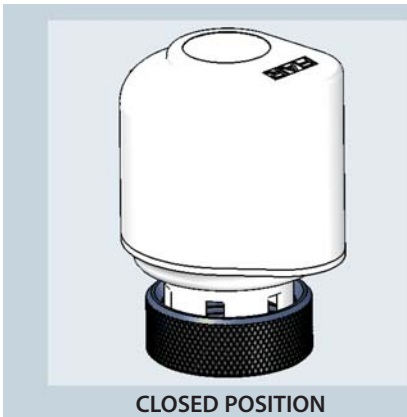
Code	Voltage	Type	Opening time
1913	24V	N.C.	90s
1914	24V	N.C.	180s
1923	230V	N.C.	90s
1924	230V	N.C.	180s

## 1. DESCRIPTION

The thermoelectric actuator can be used in association with both thermostatic valves and thermoelectric manifolds. It permits automatic opening and closing of all units to which it is interconnected in response to an electrical signal. When the thermostat or control unit - to which the thermoelectric actuator is connected transmits a signal, the inner element is electrically heated, thus fully opening (NO) or closing (NC)

the valve. The position can be identified by means of the cylindrical position indicator on the actuator head.

- If the actuator is of the Normally Closed (NC) type, without an electrical supply the valve will remain shut.
- If the actuator is of the Normally Open (NO) type, without an electrical supply the valve will remain open.



**Art. 1941**  
Chrome-plated adapter suitable for installation of an electric actuator on thermostatic valves.

## 2. INSTALLATION

- To install the actuator onto the valve, remove the handle, the plastic support and screw on the adapter Art. 1941 (Illustration 1).
- To carry out installation at the manifold, remove the handle and screw the ring directly onto the blue adapter (Illustration 2).
- Lightly hand-tighten the ring on the thermoelectric actuator. Do not use plumbing wrenches or similar tools. (Illustration 3).
- Take care to install the wire in such a way that it doesn't come into direct contact with pipes, radiators, etc...

Fig.1

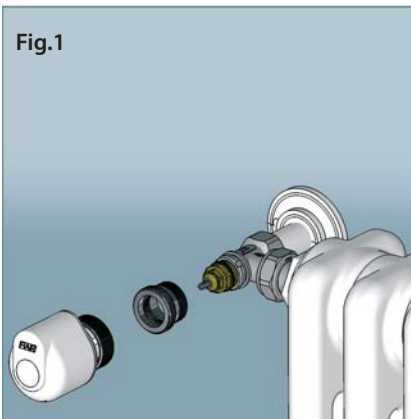


Fig.2

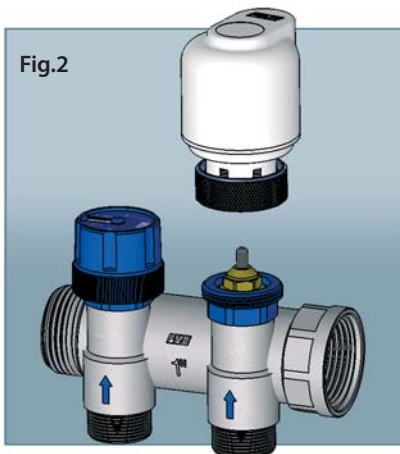
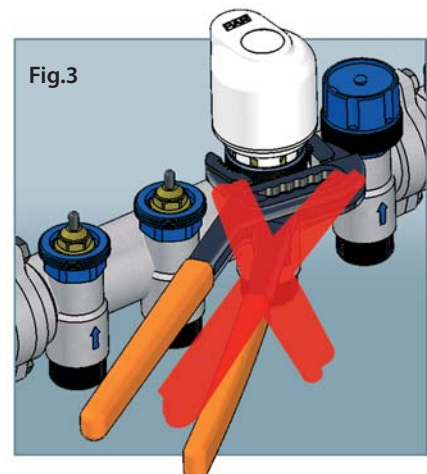


Fig.3



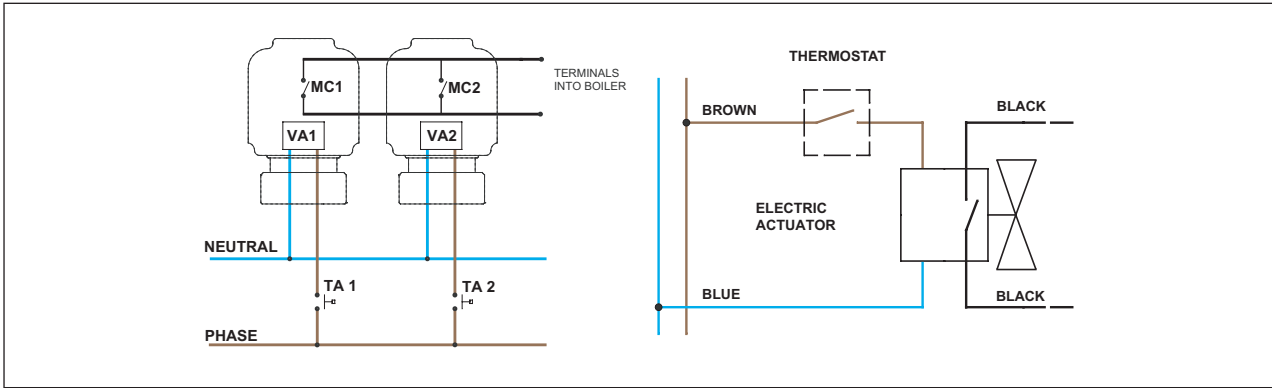
### 3. ELECTRICAL CONNECTIONS

#### Art. 1913 - 1914 - 1923 - 1924

An example is shown of connection of 2 VA thermolectric actuators, controlled by 2 TA thermostats. Once the first thermolectric actuator is totally open, it closes the circuit of the MC micro-switches, allowing the interconnected device

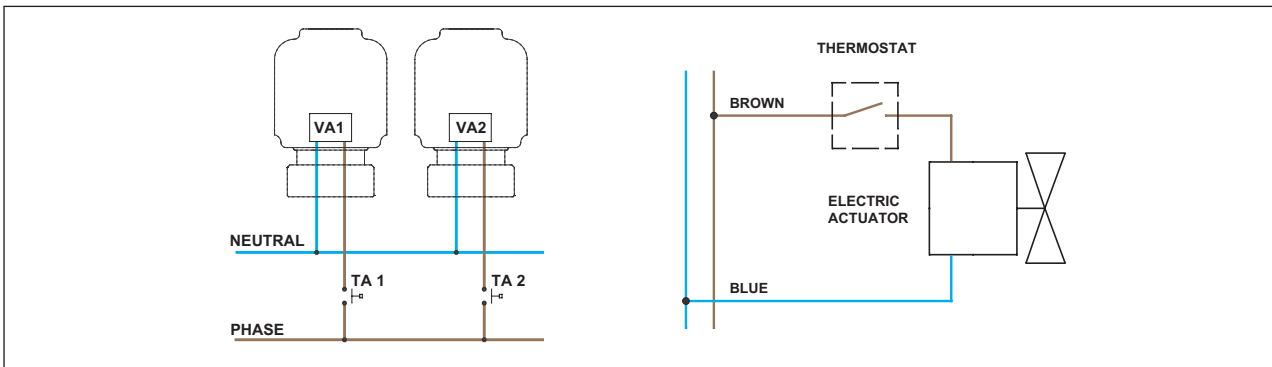
e.g. pump to operate. When the last thermolectric actuator closes it will switch off the interconnected equipment.

The illustration shows an example of micro-switch connections to terminals at the boiler for ON-OFF operation of the pump.



#### Art. 1909 - 1919 - 1929 - 1939

An example is shown of connection of 2 VA thermolectric actuators, controlled by 2 TA thermostats.



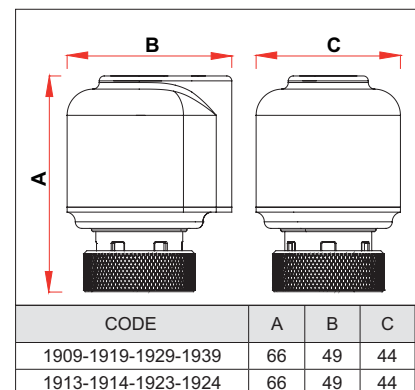
The supply wire cannot be replaced: if the wire is damaged, the actuator should be rejected

### 4. TECHNICAL AND DIMENSIONAL FEATURES

#### Technical Features

<b>WORKING VOLTAGE</b> Also shown on the actuator: Art. 1913 1914 1909 1929 Art. 1923 1924 1919 1939	24 V 230 V	<b>ROOM TEMPERATURE LIMITS OF THERMOELECTRIC ACTUATOR</b> $T_{min} = -10^{\circ}\text{C}$ $T_{max} = 50^{\circ}\text{C}$
<b>OPENING POWER</b> Voltage Opening power at short time: Constant power Power	24V   230V < 350mA   < 165mA 125mA   12mA 3W   3W	<b>SUPPLIED DISCONNECTION</b> Micro-disconnection type 1B
<b>CLOSING / OPENING TIME</b> Art. 1909 - 1919 - 1929 - 1939 - 1914 - 1924 - 180 s. about Art. 1913 - 1923 90 s. about (depending on room temperature)		<b>OVERVOLTAGE CLASS</b> The equipment is designed to Class: 2 Nominal impulsive voltage: 2500 V
<b>CERTIFIED MARK</b>		<b>PLASTIC ENVELOPE</b> Withstands a temperature of 75°C when subjected to a ball test
<b>PROTECTION AS PER EN 60529</b> Installation in all position: IP54		<b>ACTUATOR</b> The actuator is type 1.AB (voltage variations between 195 V and 250V)
<b>SPRING TENSION</b> 130 N		<b>POLLUTION DEGREE</b> Class II
<b>HUMIDITY</b> From 10 up to 90%, non condensate		<b>CONNECTION WIRE</b> (Brown + Blue)) 2 x 0,35 mm <sup>2</sup>
<b>MICRO-SWITCH CONTACT</b> Power intensity permitted: 1 (0, 1) A		<b>AUXILIARY MICRO-SWITCH WIRE</b> Black 2 x 0,35 mm <sup>2</sup>

#### Dimensional Features



## По вопросам продаж и поддержки обращайтесь:

Алматы (7273)495-231  
Ангарск (3955)60-70-56  
Архангельск (8182)63-90-72  
Астрахань (8512)99-46-04  
Барнаул (3852)73-04-60  
Белгород (4722)40-23-64  
Благовещенск (4162)22-76-07  
Брянск (4832)59-03-52  
Владивосток (423)249-28-31  
Владикавказ (8672)28-90-48  
Владимир (4922)49-43-18  
Волгоград (844)278-03-48  
Вологда (8172)26-41-59  
Воронеж (473)204-51-73  
Екатеринбург (343)384-55-89

Иваново (4932)77-34-06  
Ижевск (3412)26-03-58  
Иркутск (395)279-98-46  
Казань (843)206-01-48  
Калининград (4012)72-03-81  
Калуга (4842)92-23-67  
Кемерово (3842)65-04-62  
Киров (8332)68-02-04  
Коломна (4966)23-41-49  
Кострома (4942)77-07-48  
Краснодар (861)203-40-90  
Красноярск (391)204-63-61  
Курск (4712)77-13-04  
Курган (3522)50-90-47  
Липецк (4742)52-20-81

Магнитогорск (3519)55-03-13  
Москва (495)268-04-70  
Мурманск (8152)59-64-93  
Набережные Челны (8552)20-53-41  
Нижний Новгород (831)429-08-12  
Новокузнецк (3843)20-46-81  
Ноябрьск (3496)41-32-12  
Новосибирск (383)227-86-73  
Омск (3812)21-46-40  
Орел (4862)44-53-42  
Оренбург (3532)37-68-04  
Пенза (8412)22-31-16  
Петрозаводск (8142)55-98-37  
Псков (8112)59-10-37  
Пермь (342)205-81-47

Ростов-на-Дону (863)308-18-15  
Рязань (4912)46-61-64  
Самара (846)206-03-16  
Санкт-Петербург (812)309-46-40  
Саратов (845)249-38-78  
Севастополь (8692)22-31-93  
Саранск (8342)22-96-24  
Симферополь (3652)67-13-56  
Смоленск (4812)29-41-54  
Сочи (862)225-72-31  
Ставрополь (8652)20-65-13  
Сургут (3462)77-98-35  
Сыктывкар (8212)25-95-17  
Тамбов (4752)50-40-97  
Тверь (4822)63-31-35

Тольятти (8482)63-91-07  
Томск (3822)98-41-53  
Тула (4872)33-79-87  
Тюмень (3452)66-21-18  
Ульяновск (8422)24-23-59  
Улан-Уда (3012)59-97-51  
Уфа (347)229-48-12  
Хабаровск (4212)92-98-04  
Чебоксары (8352)28-53-07  
Челябинск (351)202-03-61  
Череповец (8202)49-02-64  
Чита (3022)38-34-83  
Якутск (4112)23-90-97  
Ярославль (4852)69-52-93

Россия +7(495)268-04-70

Казахстан +7(7172)727-132

Киргизия +996(312)96-26-47

эл.почта: [fro@nt-rt.ru](mailto:fro@nt-rt.ru) || сайт: <https://far.nt-rt.ru/>