

Сверхкомпактные грязеотделители с прямыми соеди- нениями 2277, 2278, 2270

Технические характеристики

По вопросам продаж и поддержки обращайтесь:

Алматы (7273)495-231
Ангарск (3955)60-70-56
Архангельск (8182)63-90-72
Астрахань (8512)99-46-04
Барнаул (3852)73-04-60
Белгород (4722)40-23-64
Благовещенск (4162)22-76-07
Брянск (4832)59-03-52
Владивосток (423)249-28-31
Владикавказ (8672)28-90-48
Владимир (4922)49-43-18
Волгоград (844)278-03-48
Вологда (8172)26-41-59
Воронеж (473)204-51-73
Екатеринбург (343)384-55-89

Иваново (4932)77-34-06
Ижевск (3412)26-03-58
Иркутск (395)279-98-46
Казань (843)206-01-48
Калининград (4012)72-03-81
Калуга (4842)92-23-67
Кемерово (3842)65-04-62
Киров (8332)68-02-04
Коломна (4966)23-41-49
Кострома (4942)77-07-48
Краснодар (861)203-40-90
Красноярск (391)204-63-61
Курск (4712)77-13-04
Курган (3522)50-90-47
Липецк (4742)52-20-81

Магнитогорск (3519)55-03-13
Москва (495)268-04-70
Мурманск (8152)59-64-93
Набережные Челны (8552)20-53-41
Нижний Новгород (831)429-08-12
Новокузнецк (3843)20-46-81
Ноябрьск (3496)41-32-12
Новосибирск (383)227-86-73
Омск (3812)21-46-40
Орел (4862)44-53-42
Оренбург (3532)37-68-04
Пенза (8412)22-31-16
Петрозаводск (8142)55-98-37
Псков (8112)59-10-37
Пермь (342)205-81-47

Ростов-на-Дону (863)308-18-15
Рязань (4912)46-61-64
Самара (846)206-03-16
Санкт-Петербург (812)309-46-40
Саратов (845)249-38-78
Севастополь (8692)22-31-93
Саранск (8342)22-96-24
Симферополь (3652)67-13-56
Смоленск (4812)29-41-54
Сочи (862)225-72-31
Ставрополь (8652)20-65-13
Сургут (3462)77-98-35
Сыктывкар (8212)25-95-17
Тамбов (4752)50-40-97
Тверь (4822)63-31-35

Тольятти (8482)63-91-07
Томск (3822)98-41-53
Тула (4872)33-79-87
Тюмень (3452)66-21-18
Ульяновск (8422)24-23-59
Улан-Удэ (3012)59-97-51
Уфа (347)229-48-12
Хабаровск (4212)92-98-04
Чебоксары (8352)28-53-07
Челябинск (351)202-03-61
Череповец (8202)49-02-64
Чита (3022)38-34-83
Якутск (4112)23-90-97
Ярославль (4852)69-52-93

Россия +7(495)268-04-70

Казахстан +7(7172)727-132

Киргизия +996(312)96-26-47

эл.почта: fro@nt-rt.ru || сайт: <https://far.nt-rt.ru/>

ART.2277



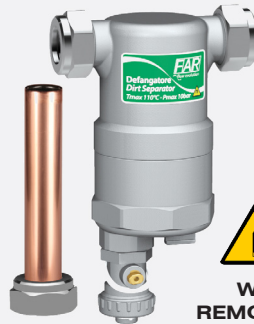
WITH
REMOVABLE
MAGNETIC
INSERT

compactFAR

Ultra compact dirt separator for heating plant, provided with magnet for the removal of ferrous particle.

- Pipe connection: 3/4" F - M
- Chromed finish
- Removable cartridge and magnets
- On/off Ball valve
- Drain cock
- Ø18mm copper pipe with 3/4" connection
- 3/4" chrome-plated nut
- Patent pending

ART.2278



WITH
REMOVABLE
MAGNETIC
INSERT

compactFAR

Ultra compact dirt separator for heating plant, provided with magnet for the removal of ferrous particle.

- Pipe connection: 3/4" F - F
- Chromed finish
- Removable cartridge and magnets
- Drain cock
- Ø18mm copper pipe with 3/4" connection
- Patent pending

ART.2279



WITH
REMOVABLE
MAGNETIC
INSERT

compactFAR

Ultra compact dirt separator for heating plant, provided with magnet for the removal of ferrous particle.

- Pipe connection : 3/4" F - F
- White/Chromed finish
- Removable cartridge and magnets
- Drain cock
- Ø18mm copper pipe with 3/4" connection
- Patent pending

1 DESCRIPTION

The CompactFar dirt separator is a device designed for the installation on domestic boilers.

It is equipped with a filter cartridge that allows to separate from water all the impurities circulating in the heating system pipes, that could damage the boiler or create malfunction failures.

A magnetic insert is fitted in the bottom part of the dirt separator and this makes the CompactFar ideal for the installation on systems with a high quantity of ferrous particles, metal shavings or rust due to corrosion.

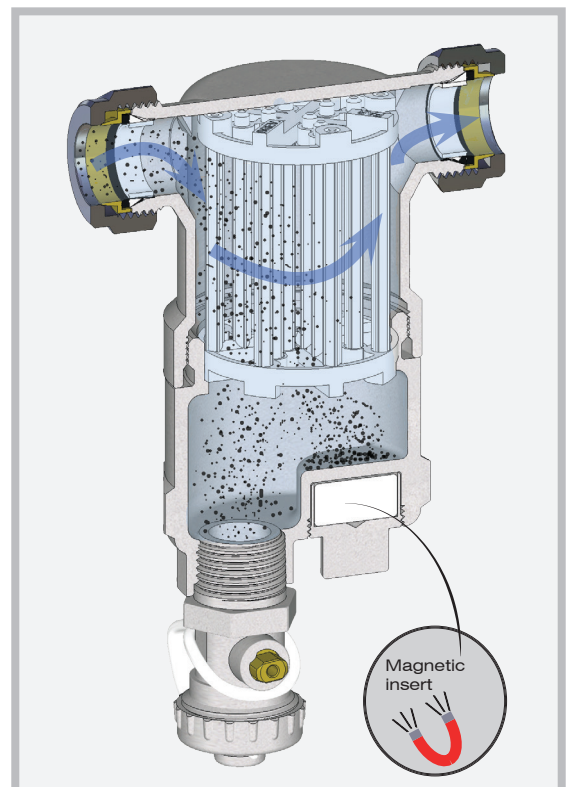
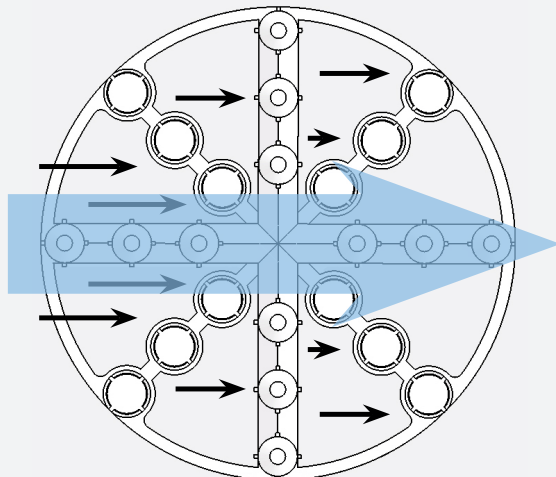
The dirt sediments are falling on the bottom of the chamber and they can be flushed down through a drainage valve.

2 WORKING PRINCIPLE AND DETAILS

As illustrated, the use of vertical bars aligned to the direction of the fluid maximizes the surface area for contact with particles of dirt suspended in the fluid, while tongues create turbulence to slow the flow rate and facilitate the separation and settling of impurities.

The dirt separator with magnetic inserts allows to catch iron particles in older systems or in systems with high dirt concentration.

Cartridge section which shows the water flow (blue arrow) and the impurities movement (black arrows).



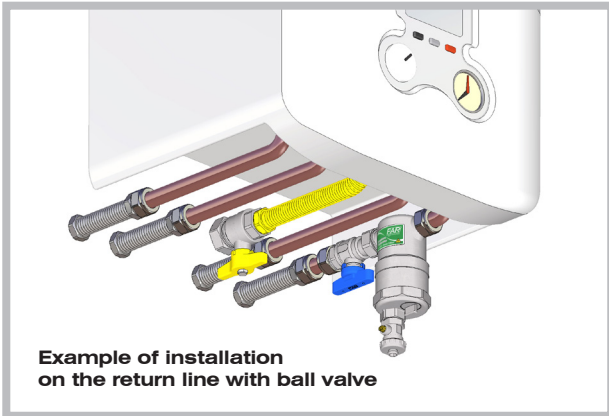
3 INSTALLATION



ATTENTION: Because of the magnetic inserts, anybody fitted with a pacemaker is advised to maintain a safe distance during operation and maintenance. Attention should be paid to the use of electronic equipment near magnetic inserts to avoid interference.

The dirt separator should be placed on the return line before the boiler, in such way as to catch all the impurities that might damage the boiler or the circulator.

ATTENTION: For proper operation the dirt separator should always be installed in a vertical position.



Example of installation on the return line with ball valve

The dirt separator connection can be changed from flat face to Eurokonus, by keeping or removing the white plastic ring.

EUROKONUS CONNECTION

In order to get the eurokonus connection, remove the white plastic insert.



FLAT FACE CONNECTION

In order to get the flat face connection, place the white plastic insert.



3/4" eurokonus connection

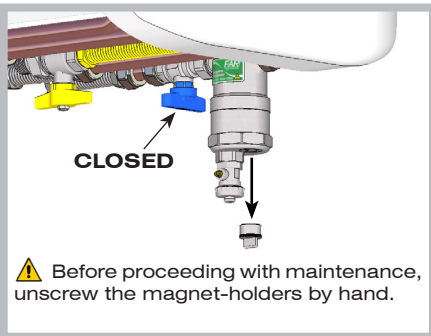


3/4" flat face connection

4 MAINTENANCE

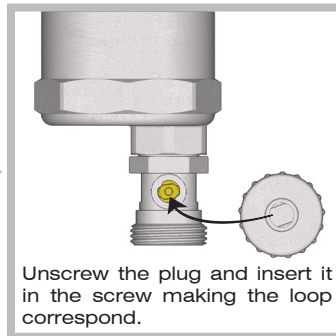
Ordinary maintenance

The dirt separator requires periodical maintenance, to remove the deposit impurities.

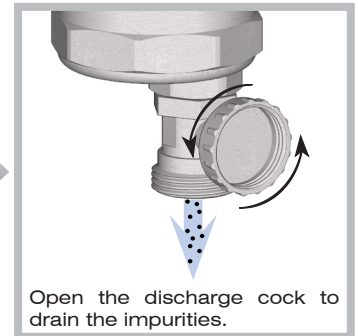


CLOSED

ATTENTION: Before proceeding with maintenance, unscrew the magnet-holders by hand.



Unscrew the plug and insert it in the screw making the loop correspond.

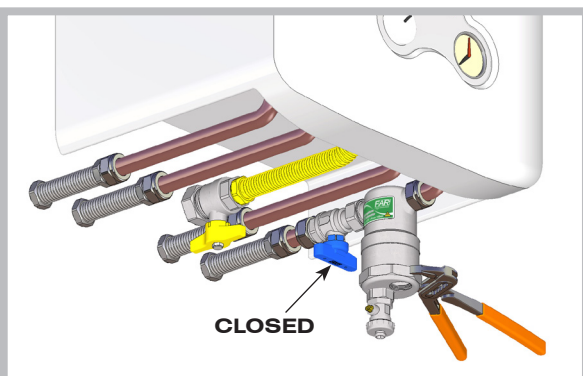


Open the discharge cock to drain the impurities.

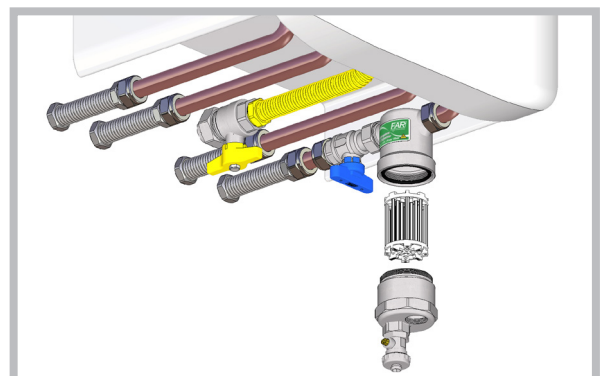
Extraordinary maintenance

ATTENTION: Before proceeding with maintenance, unscrew the magnet-holders by hand.

Beyond the normal drain procedure, it is possible using a pipe wrench (Plumbing wrench/adjustable wrench) to unscrew the down part of the separator and take the cartridge out to be cleaned from impurities and dirt waste.



CLOSED

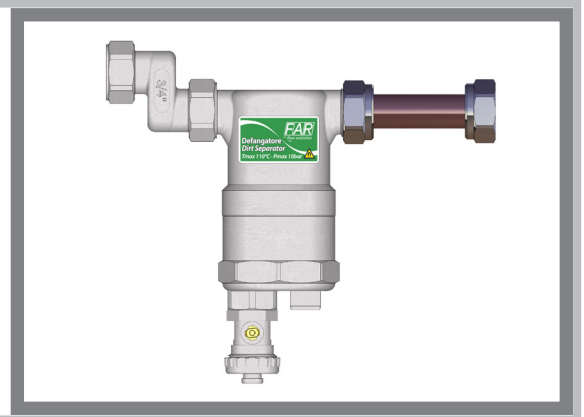


5 ACCESSORIES

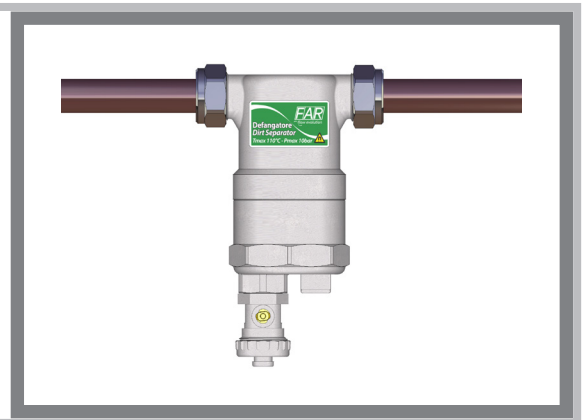
To manage different types of installation, FAR produces a variety of accessories, directly applicable on both connections of the Compactfar dirt separator that makes this product compatible with any connection.

Art.5565 234

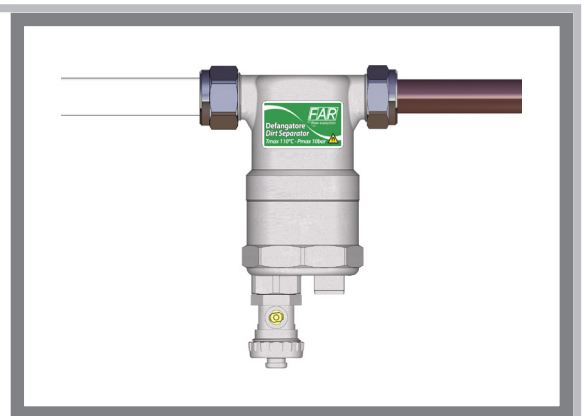
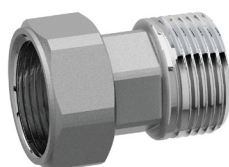

In the case of misalignment between connections and hoses, the eccentric fitting F-F **art.5565 234**, brass made, 20mm wheelbase allows to recover this gap for the connection between dirt separator and pipes.


Art.8421 18

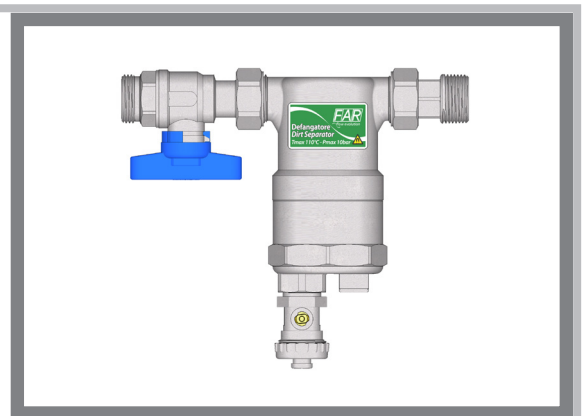

Adapter for Ø 18mm copper pipe **art.8421 18**, made in chrome-plated brass and equipped with rubber washer to directly connect the dirt separator with the copper pipe.


Art.6076

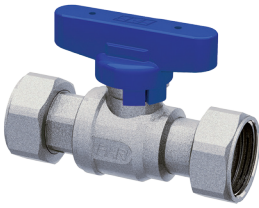

Adapter for multilayer pipes complete with chrome-plated nut. Suitable for all our products with EUROKONUS connection.


Art.8323 34


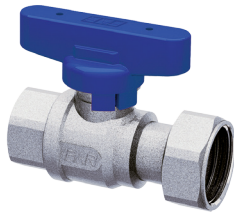
The M-F 3/4" junction connection, chrome-plated brass provided with removable cap **art.8323 34** allows the connection with the 3/4" F connection directly at the exit of the return line.



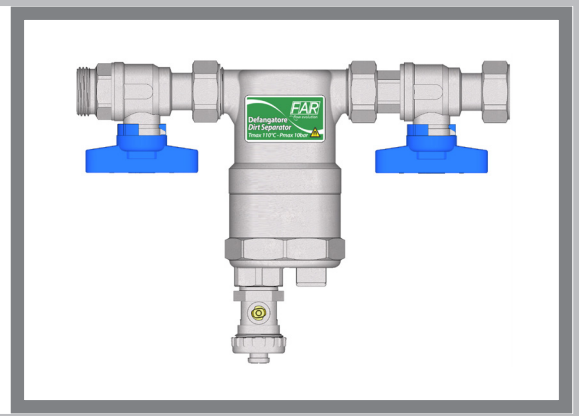
Art.3037C



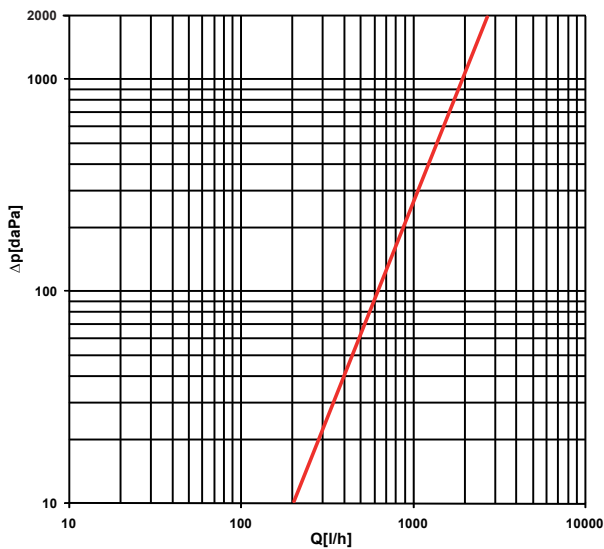
Art.3047C



The valve **art.3037C** F-F equipped with double swiveling nut and the valve **art.3047C** equipped with single swiveling nut, work as shut-off valves the dirt separator and the boiler with 3/4" M connection.



6 FLUID DYNAMIC FEATURES

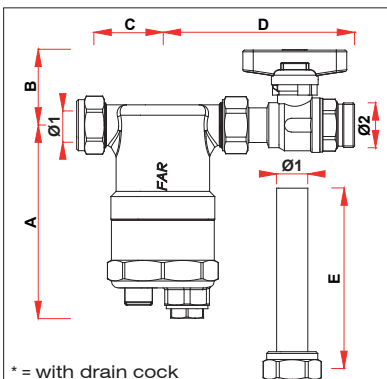


Kv=5,86 m3/h

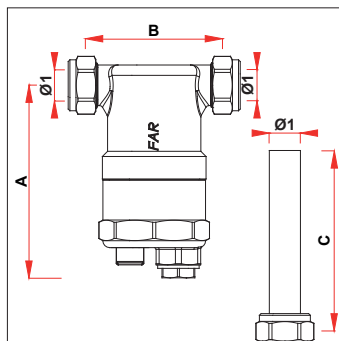
7 TECHNICAL SPECIFICATIONS

- Body: Brass CB753S
- Drain cock: Brass CW617N
- Max. working temperature: 110°C
- Nominal pressure: 10 bar
- Filtration cartridge: PA6
- O-Ring: EPDM
- Max. flow speed: 1.4 m/s

B DIMENSIONAL FEATURES



CODE	Ø1	Ø2	A	B	C	D	E
2277 34	Ø18	G3/4	112 (143*)	44	41	111	103



CODE	Ø1	A	B	C
2278 34	Ø18	112 (143*)	82	103
2279 34	Ø18	112 (143*)	82	103

По вопросам продаж и поддержки обращайтесь:

Алматы (7273)495-231
Ангарск (3955)60-70-56
Архангельск (8182)63-90-72
Астрахань (8512)99-46-04
Барнаул (3852)73-04-60
Белгород (4722)40-23-64
Благовещенск (4162)22-76-07
Брянск (4832)59-03-52
Владивосток (423)249-28-31
Владикавказ (8672)28-90-48
Владимир (4922)49-43-18
Волгоград (844)278-03-48
Вологда (8172)26-41-59
Воронеж (473)204-51-73
Екатеринбург (343)384-55-89

Иваново (4932)77-34-06
Ижевск (3412)26-03-58
Иркутск (395)279-98-46
Казань (843)206-01-48
Калининград (4012)72-03-81
Калуга (4842)92-23-67
Кемерово (3842)65-04-62
Киров (8332)68-02-04
Коломна (4966)23-41-49
Кострома (4942)77-07-48
Краснодар (861)203-40-90
Красноярск (391)204-63-61
Курск (4712)77-13-04
Курган (3522)50-90-47
Липецк (4742)52-20-81

Магнитогорск (3519)55-03-13
Москва (495)268-04-70
Мурманск (8152)59-64-93
Набережные Челны (8552)20-53-41
Нижний Новгород (831)429-08-12
Новокузнецк (3843)20-46-81
Ноябрьск (3496)41-32-12
Новосибирск (383)227-86-73
Омск (3812)21-46-40
Орел (4862)44-53-42
Оренбург (3532)37-68-04
Пенза (8412)22-31-16
Петрозаводск (8142)55-98-37
Псков (8112)59-10-37
Пермь (342)205-81-47

Ростов-на-Дону (863)308-18-15
Рязань (4912)46-61-64
Самара (846)206-03-16
Санкт-Петербург (812)309-46-40
Саратов (845)249-38-78
Севастополь (8692)22-31-93
Саранск (8342)22-96-24
Симферополь (3652)67-13-56
Смоленск (4812)29-41-54
Сочи (862)225-72-31
Ставрополь (8652)20-65-13
Сургут (3462)77-98-35
Сыктывкар (8212)25-95-17
Тамбов (4752)50-40-97
Тверь (4822)63-31-35

Тольятти (8482)63-91-07
Томск (3822)98-41-53
Тула (4872)33-79-87
Тюмень (3452)66-21-18
Ульяновск (8422)24-23-59
Улан-Уда (3012)59-97-51
Уфа (347)229-48-12
Хабаровск (4212)92-98-04
Чебоксары (8352)28-53-07
Челябинск (351)202-03-61
Череповец (8202)49-02-64
Чита (3022)38-34-83
Якутск (4112)23-90-97
Ярославль (4852)69-52-93

Россия +7(495)268-04-70

Казахстан +7(7172)727-132

Киргизия +996(312)96-26-47

эл.почта: fro@nt-rt.ru || сайт: <https://far.nt-rt.ru/>