

# Зональные клапаны

## Технические характеристики

По вопросам продаж и поддержки обращайтесь:

Алматы (7273)495-231  
Ангарск (3955)60-70-56  
Архангельск (8182)63-90-72  
Астрахань (8512)99-46-04  
Барнаул (3852)73-04-60  
Белгород (4722)40-23-64  
Благовещенск (4162)22-76-07  
Брянск (4832)59-03-52  
Владивосток (423)249-28-31  
Владикавказ (8672)28-90-48  
Владимир (4922)49-43-18  
Волгоград (844)278-03-48  
Вологда (8172)26-41-59  
Воронеж (473)204-51-73  
Екатеринбург (343)384-55-89

Иваново (4932)77-34-06  
Ижевск (3412)26-03-58  
Иркутск (395)279-98-46  
Казань (843)206-01-48  
Калининград (4012)72-03-81  
Калуга (4842)92-23-67  
Кемерово (3842)65-04-62  
Киров (8332)68-02-04  
Коломна (4966)23-41-49  
Кострома (4942)77-07-48  
Краснодар (861)203-40-90  
Красноярск (391)204-63-61  
Курск (4712)77-13-04  
Курган (3522)50-90-47  
Липецк (4742)52-20-81

Магнитогорск (3519)55-03-13  
Москва (495)268-04-70  
Мурманск (8152)59-64-93  
Набережные Челны (8552)20-53-41  
Нижний Новгород (831)429-08-12  
Новокузнецк (3843)20-46-81  
Ноябрьск (3496)41-32-12  
Новосибирск (383)227-86-73  
Омск (3812)21-46-40  
Орел (4862)44-53-42  
Оренбург (3532)37-68-04  
Пенза (8412)22-31-16  
Петрозаводск (8142)55-98-37  
Псков (8112)59-10-37  
Пермь (342)205-81-47

Ростов-на-Дону (863)308-18-15  
Рязань (4912)46-61-64  
Самара (846)206-03-16  
Санкт-Петербург (812)309-46-40  
Саратов (845)249-38-78  
Севастополь (8692)22-31-93  
Саранск (8342)22-96-24  
Симферополь (3652)67-13-56  
Смоленск (4812)29-41-54  
Сочи (862)225-72-31  
Ставрополь (8652)20-65-13  
Сургут (3462)77-98-35  
Сыктывкар (8212)25-95-17  
Тамбов (4752)50-40-97  
Тверь (4822)63-31-35

Тольятти (8482)63-91-07  
Томск (3822)98-41-53  
Тула (4872)33-79-87  
Тюмень (3452)66-21-18  
Ульяновск (8422)24-23-59  
Улан-Удэ (3012)59-97-51  
Уфа (347)229-48-12  
Хабаровск (4212)92-98-04  
Чебоксары (8352)28-53-07  
Челябинск (351)202-03-61  
Череповец (8202)49-02-64  
Чита (3022)38-34-83  
Якутск (4112)23-90-97  
Ярославль (4852)69-52-93

Россия +7(495)268-04-70

Казахстан +7(7172)727-132

Киргизия +996(312)96-26-47

эл.почта: [fro@nt-rt.ru](mailto:fro@nt-rt.ru) || сайт: <https://far.nt-rt.ru/>

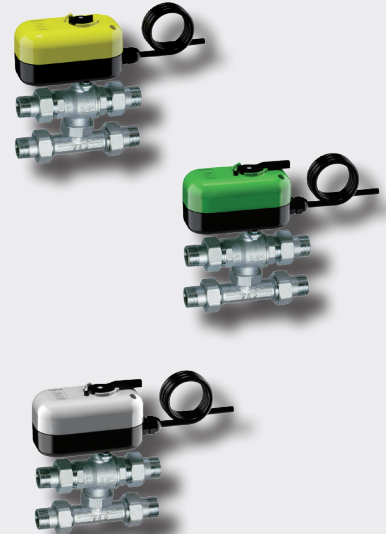
## 2-WAY ZONE VALVES



## 3-WAY ZONE VALVES



## BYPASS VALVES



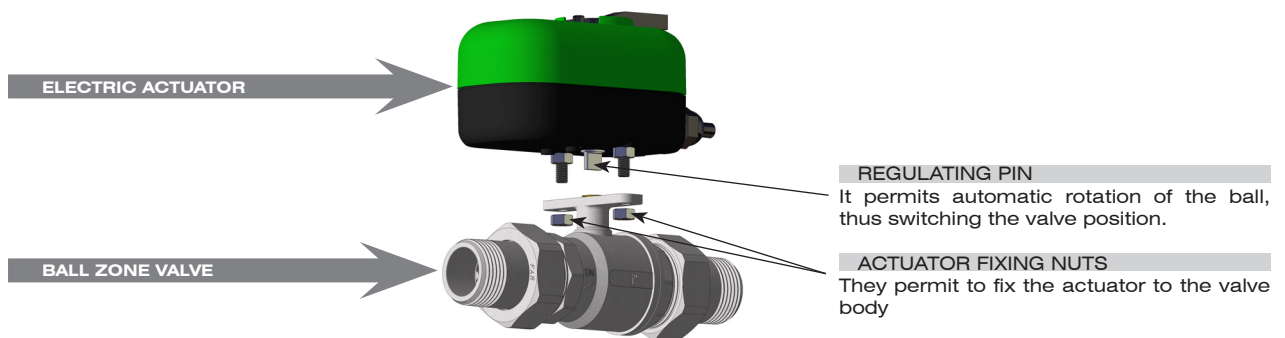
The zone valves are available in the following sizes: 1/2" - 3/4" - 1" - 1 1/4"  
Connections: male-male, male-female and female-female

1

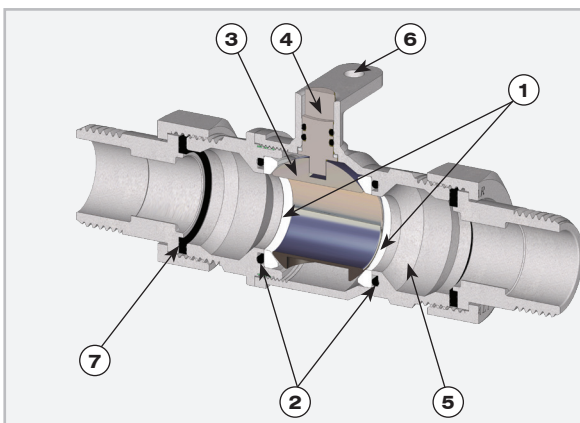
## DESCRIPTION

The FAR zone valve, which is controlled by an actuator connected to an ON-OFF room thermostat, permits to shut-off or divert the flow within the heating, cooling or sanitary systems.

The zone valve features a special internal anti-blockage system, which makes sure the correct rotation of the ball, even in case of hard water. The system comprises two PTFE seats located on two O-rings, which operate as "shock absorbers" so that ball rotation is guaranteed - even if it has not been used for a long period.



## Construction features



1. Seats in P.T.F.E.

2. Sealing O-rings in EPDM

3. Ball in CW617N brass

4. Control stem in CW617N brass with O-rings in EPDM

5. Valve body in CW617N brass

6. Holes for screws for actuator

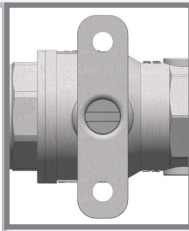
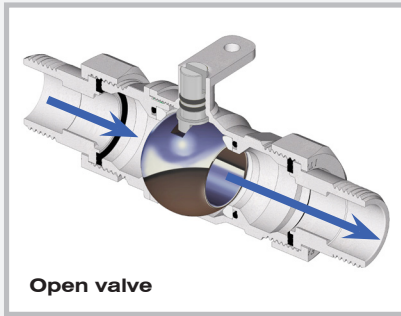
7. Gasket in Gold Gasket®

**Functioning**

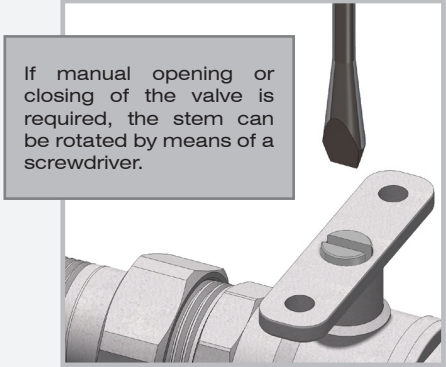
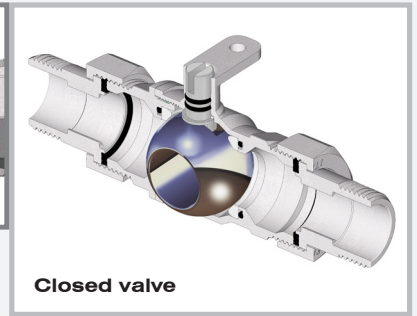
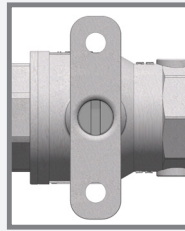
**2-WAY ZONE VALVE**

The 2-way full bore zone valve permits to shut-off or divert the flow within the heating or sanitary systems. The actuator opens or closes off the flow of fluid in response to signals received from the thermostat.

**STARTING POSITION**



90°



If manual opening or closing of the valve is required, the stem can be rotated by means of a screwdriver.

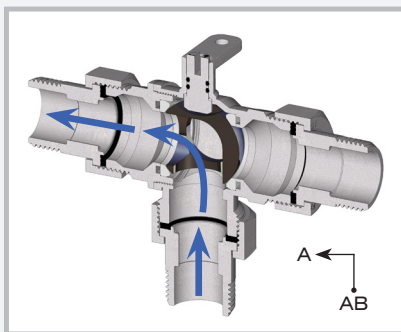
**3-WAY DIVERTER ZONE VALVE**

This kind of valve is designed to divert the flow from a circuit to another, i.e.: to divert the water back when using a thermostat, or for switching in summer and winter to use circuit to heat or cool the room.

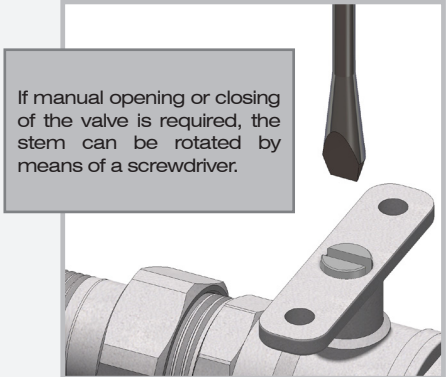
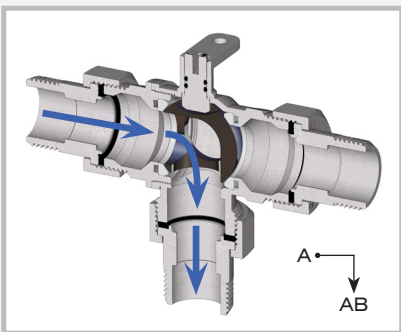
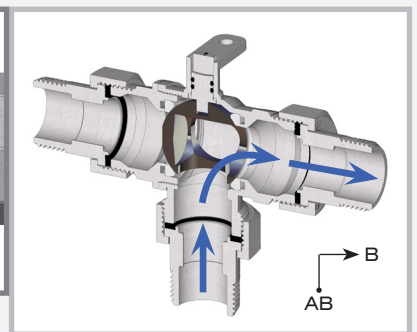
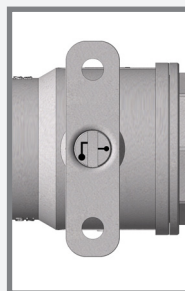
This valve can also be used in systems with both boiler and real fire fireplace. It is available with male-male, male-female and female-female side connections.

**STARTING POSITION**

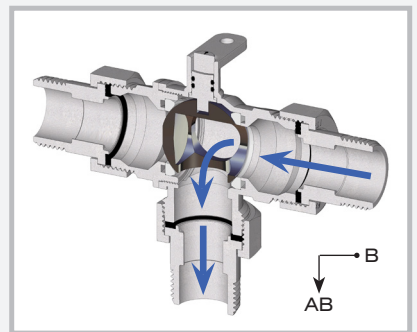
The illustration shows a 3-Way diverter zone valve: in this case the position of the ball permits the inlet of fluid from below (AB) and then diverts it to the left (A).



90°



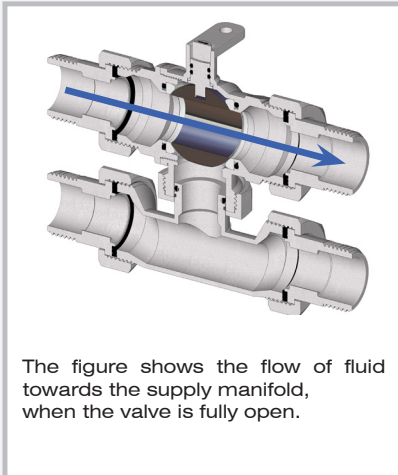
If manual opening or closing of the valve is required, the stem can be rotated by means of a screwdriver.



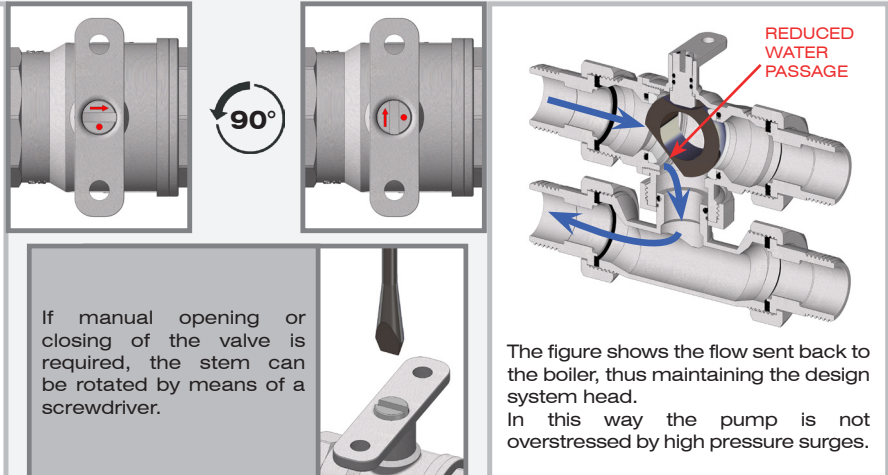
## BYPASS VALVE

The FAR 3-way valve with bypass is suitable for use in association with coplanar manifolds with no need for differential pressure valves to maintain system design heads. The centre line of the bypass Tee connection increases from 52mm to 63mm compared with the valve body for easy compatibility with most manifolds on the market – ensuring good flow and return connections. This valve is available with male-male, male-female and female-female connections.

### STARTING POSITION



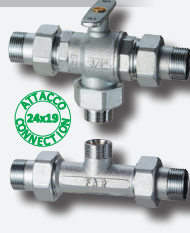
### NEXT POSITION



### ART.3025



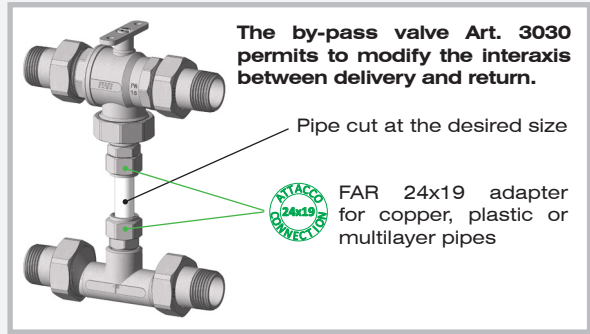
### ART.3030



### ART.3031



### ART.3032



## 2 SMALL ACTUATORS

The actuators incorporate two servomotors, one for opening and the other for closing. In this way wear on gears and servomotors can be reduced, ensuring a long life of the component. Each actuator is equipped with an auxiliary micro-switch, which makes it possible to achieve parallel connections of zone valves and links to control pumps and boilers.



All actuators are AC, available with 24V or 230V voltage

### Art.3001 (230V) - Art.3002 (24V):

Electric actuator complete with relay and auxiliary micro-switch.



### Art.3005 (230V) - Art.3006 (24V):

Electric actuator with manual release, complete with relay and auxiliary micro-switch.



### Art.3007 (230V) - Art.3008 (24V):

Electric actuator with manual release, complete with relay and auxiliary micro-switch.

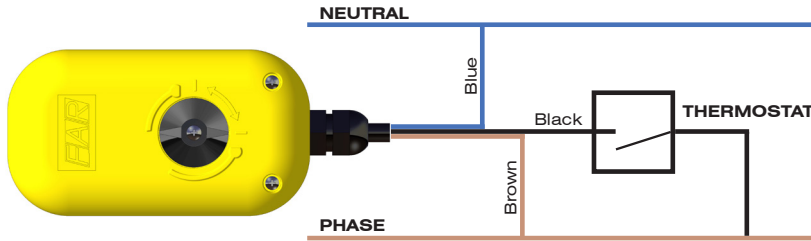


The Actuators **Art.3005-3006** and **Art.3007-3008** are equipped with a manual release, which allows manual opening or closing of the zone valve in the event of power failure.

In order to carry out the opening or closing, push the release button for a few seconds and then turn the lever, as shown in the illustration.

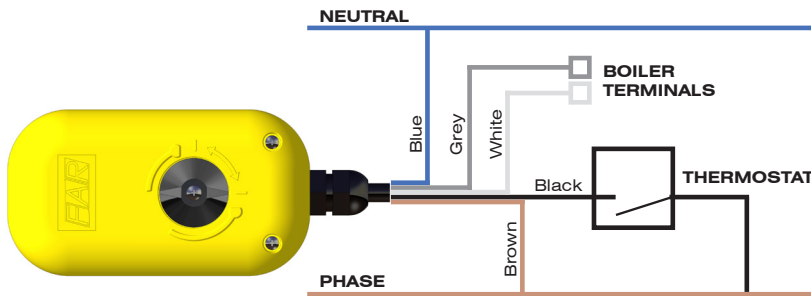
## Electrical connections

### 3-WIRING CONNECTION - room thermostat



The brown wire must be connected directly to phase, the blue to neutral and the black to the thermostat.

### 5-WIRING CONNECTION - Room thermostat and boiler pump ON/OFF



An inner auxiliary microswitch connected to the grey and white wires (clean contact), independent from the actuator circuit, permits connection in parallel of more than one actuator to control a single device, such as a pump or boiler. To control the starting of the pump, connect the grey and white wires to the 2 terminals provided in the boiler for connection to the thermostat.



For proper operation it is essential that the brown cable is always live

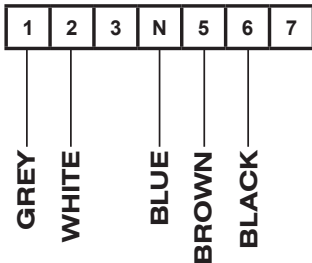
#### PRESENCE OF PHASE ON BLACK WIRE

- **2-way zone valve:** the flow is shut off
- **Diverter zone valve:** the flow is switched from one side to another
- **Bypass valve:** the flow is linear

#### ABSENCE OF PHASE ON BLACK WIRE

- **2-way zone valve:** the flow is open
- **Diverter zone valve:** the flow is switched from one side to another
- **Bypass valve:** the flow is diverted in bypass

#### INTERNAL TERMINAL BOARD



N°	COLOUR	CONNECTION	DESCRIPTION
1	Grey	Microswitch common contact	Connected to the common contact of the microswitch
2	White	N.O. of the microswitch	Connected to the normally open contact of the micro.
3	-	Signal indicator	With open valve presence of phase on terminal
N	Blue	Neutral	Connection to the neutral of system
5	Brown	Phase	Connection to the phase of system
6	Black	Open	With phase on the black the valve is open
		Closed	In absence of phase on the black, the valve is closed
7	-	Signal indicator	With close valve presence of phase on terminal

#### TECHNICAL FEATURES

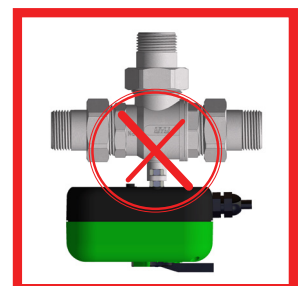
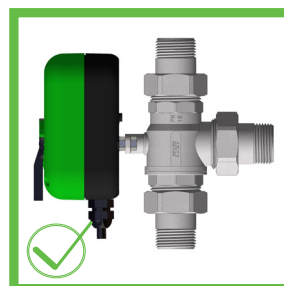
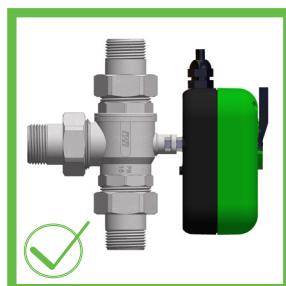
- Connection cable length: 1 m
- Rotation Angle: 90°
- Feed voltage: 50Hz
- Protection level: IP54
- Working temperature range: from -10°C to + 50°C

## 3

## INSTALLATION



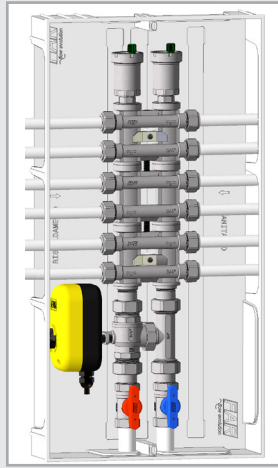
Don't install the actuator upside-down, as any dripping due to condensation could cause damages to the electrical part



## INSTALLATION OVERVIEW

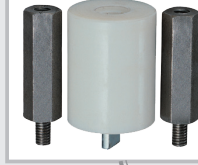
The illustration shows a coplanar manifold with the bypass zone valve **Art.300125**, installed in a heating system.

The motorized valve opens the flow of fluid in response to the signal received from the thermostat. In case of no need for heating, the valve will redirect the flow to the return pipeline.



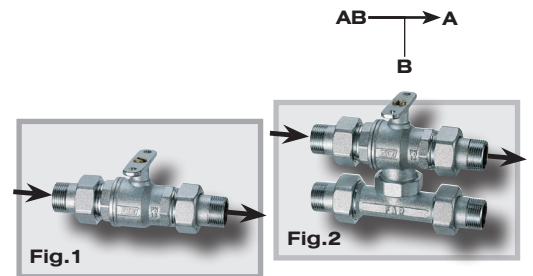
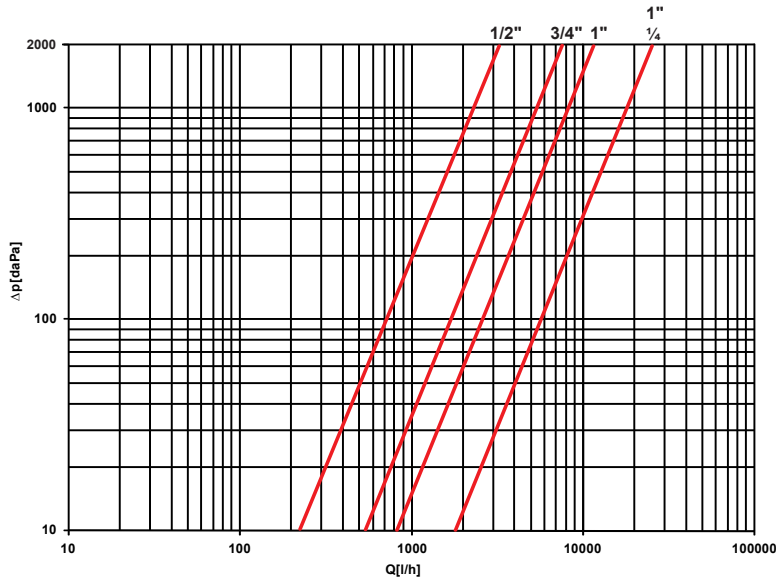
In systems subjected to condensation, it is recommended to install an anti-condensation insulation **Art.9003**, so as to avoid that any drops could damage the electrical parts.

**Art.9003**



## 4 FLUID-DYNAMICS FEATURES

### 2-WAY ZONE VALVES

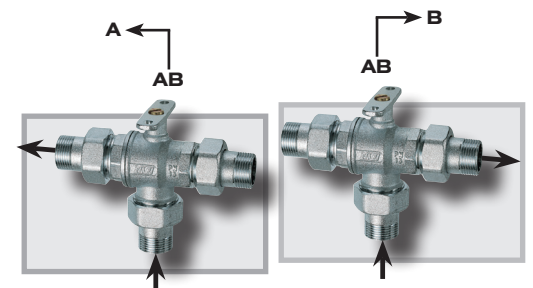
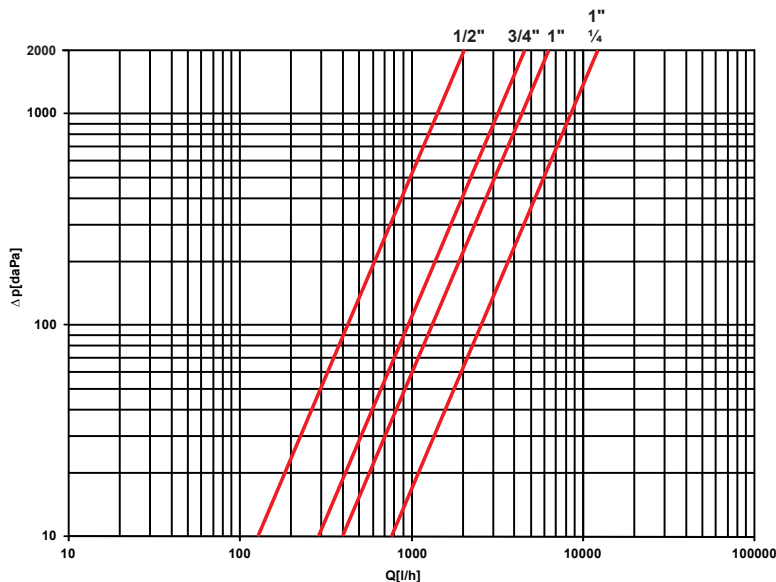


The diagram on the left shows the pressure drops of the 2-way zone valves **Art.3015 - 3016 - 3017**: **1/2", 3/4", 1", 1 1/4"** (Fig.1)

The diagram is valid also for the full bore zone valves **Art.3025 - 3030 - 3031 - 3032**: **1/2", 3/4", 1" e 1 1/4"** (Fig.2).

SIZE	1/2"	3/4"	1"	1 1/4"
Kv [m³/h]	7,1	16,8	25,6	55,2

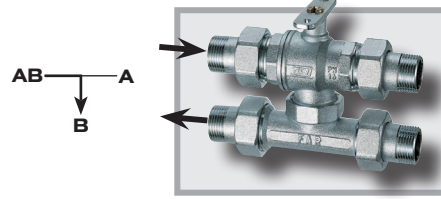
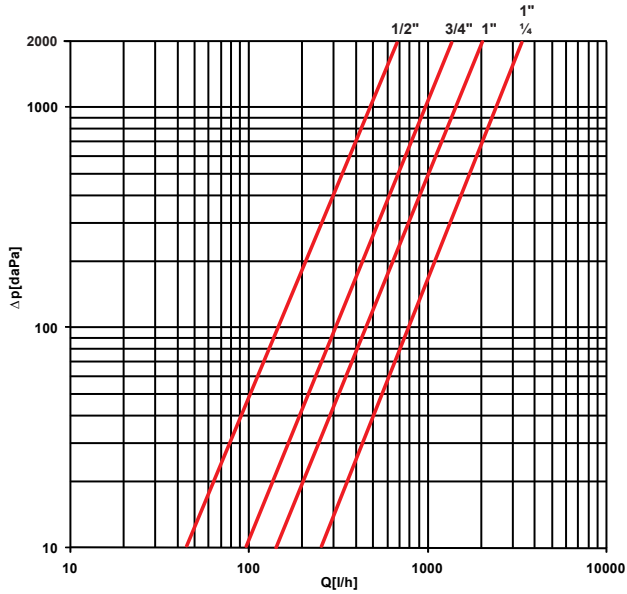
### 3-WAY DIVERTER ZONE VALVES



The diagram on the left shows the pressure drops of the 3-way diverter zone valves, with L passage, **Art. 3020 - 3021 - 3022**

SIZE	1/2"	3/4"	1"	1 1/4"
Kv [m³/h]	4,5	9,9	13,7	25,5

## BYPASS VALVES



The diagram on the left shows the pressure drops of the bypass zone valves, **Art. 3025 - 3030 - 3031 - 3032**

SIZE	1/2"	3/4"	1"	1" 1/4"
Kv [m³/h]	1,54	3,23	4,83	7,87

## 5 TECHNICAL FEATURES

- Valve body and ball: UNI EN 12165:98 CW617N Brass
- Sealing gaskets: Anti-blockage system with OR in EPDM and seats in PTFE
- Control stem: UNI EN 12164:98 CW614N Brass
- Nominal working pressure: 16 bar
- Differential maximum pressure: 5 bar
- Circulating fluid temperature: -10 °C (with antifreeze) +100 °C
- Usable fluids: water, water with glycol

## 6 DIMENSIONAL FEATURES

**ART. 300120**

CODE	Ø1	A	B	C	D	E	F	G	H	I
300120 1240	G1/2	11	48	33	73	74	75	136	28	66
300120 3440	G3/4	13	56	38	73	74	84	150	36	66
300120 140	G1	16	63	42	73	74	94	172	41	66
300120 11440	G1 1/4	18	71	47	73	74	107	190	48	66

**ART. 300115**

CODE	Ø1	A	B	C	D	E	F	G
300115 1240	G1/2	16	33	73	74	75	136	66
300115 3440	G3/4	21	38	73	74	84	150	66
300115 140	G1	26	42	73	74	94	171	66
300115 11440	G1 1/4	31	47	73	74	107	190	66

**ART. 300121**

CODE	Ø1	A	B	C	D	E	F	G	H
300121 1240	G1/2	11	48	33	73	74	64	28	66
300121 3440	G3/4	13	56	38	73	74	77	36	66
300121 140	G1	16	63	42	73	74	90	41	66

**ART. 300122**

CODE	Ø1	A	B	C	D	E	F	G	H	I
300122 1240	G1/2	11	48	33	73	74	70	100	28	66
300122 3440	G3/4	13	56	38	73	74	80	114	36	66
300122 140	G1	16	63	42	73	74	92	132	41	66
300122 11440	G1 1/4	18	71	47	73	74	106	148	48	66

**ART. 300116**

CODE	Ø1	A	B	C	D	E	F
300116 1240	G1/2	16	33	73	74	64	66
300116 3440	G3/4	21	38	73	74	77	66
300116 140	G1	26	42	73	74	90	66

**ART. 300125**

CODE	Ø1	A	B	C	D	E	F	G	H
300125 3440	G3/4	21	52-63	38	73	74	84	150	66
300125 140	G1	26	52-63	42	73	74	94	172	66

**ART. 3001-3002**

CODE	A	B	C	D
3001-3002	74	66	73	47

**ART. 300117**

CODE	Ø1	A	B	C	D	E	F	G
300117 1240	G1/2	16	33	73	74	70	100	66
300117 3440	G3/4	21	38	73	74	81	115	66
300117 140	G1	26	42	73	74	92	131	66
300117 11440	G1 1/4	31	47	73	74	106	148	66

**ART. 3005-3006**

CODE	A	B	C	D
3005-3006	74	66	75	47

For all dimensional specifications, see our the website [www.far.eu](http://www.far.eu) or the price list in the dimensional sheets chapter.

## По вопросам продаж и поддержки обращайтесь:

Алматы (7273)495-231  
Ангарск (3955)60-70-56  
Архангельск (8182)63-90-72  
Астрахань (8512)99-46-04  
Барнаул (3852)73-04-60  
Белгород (4722)40-23-64  
Благовещенск (4162)22-76-07  
Брянск (4832)59-03-52  
Владивосток (423)249-28-31  
Владикавказ (8672)28-90-48  
Владимир (4922)49-43-18  
Волгоград (844)278-03-48  
Вологда (8172)26-41-59  
Воронеж (473)204-51-73  
Екатеринбург (343)384-55-89

Иваново (4932)77-34-06  
Ижевск (3412)26-03-58  
Иркутск (395)279-98-46  
Казань (843)206-01-48  
Калининград (4012)72-03-81  
Калуга (4842)92-23-67  
Кемерово (3842)65-04-62  
Киров (8332)68-02-04  
Коломна (4966)23-41-49  
Кострома (4942)77-07-48  
Краснодар (861)203-40-90  
Красноярск (391)204-63-61  
Курск (4712)77-13-04  
Курган (3522)50-90-47  
Липецк (4742)52-20-81

Магнитогорск (3519)55-03-13  
Москва (495)268-04-70  
Мурманск (8152)59-64-93  
Набережные Челны (8552)20-53-41  
Нижний Новгород (831)429-08-12  
Новокузнецк (3843)20-46-81  
Ноябрьск (3496)41-32-12  
Новосибирск (383)227-86-73  
Омск (3812)21-46-40  
Орел (4862)44-53-42  
Оренбург (3532)37-68-04  
Пенза (8412)22-31-16  
Петрозаводск (8142)55-98-37  
Псков (8112)59-10-37  
Пермь (342)205-81-47

Ростов-на-Дону (863)308-18-15  
Рязань (4912)46-61-64  
Самара (846)206-03-16  
Санкт-Петербург (812)309-46-40  
Саратов (845)249-38-78  
Севастополь (8692)22-31-93  
Саранск (8342)22-96-24  
Симферополь (3652)67-13-56  
Смоленск (4812)29-41-54  
Сочи (862)225-72-31  
Ставрополь (8652)20-65-13  
Сургут (3462)77-98-35  
Сыктывкар (8212)25-95-17  
Тамбов (4752)50-40-97  
Тверь (4822)63-31-35

Тольятти (8482)63-91-07  
Томск (3822)98-41-53  
Тула (4872)33-79-87  
Тюмень (3452)66-21-18  
Ульяновск (8422)24-23-59  
Улан-Уда (3012)59-97-51  
Уфа (347)229-48-12  
Хабаровск (4212)92-98-04  
Чебоксары (8352)28-53-07  
Челябинск (351)202-03-61  
Череповец (8202)49-02-64  
Чита (3022)38-34-83  
Якутск (4112)23-90-97  
Ярославль (4852)69-52-93

Россия +7(495)268-04-70

Казахстан +7(7172)727-132

Киргизия +996(312)96-26-47

эл.почта: [fro@nt-rt.ru](mailto:fro@nt-rt.ru) || сайт: <https://far.nt-rt.ru/>