

Фильтры с поворотными соединениями

39А3, 39А5, 39А7

Технические характеристики

По вопросам продаж и поддержки обращайтесь:

Алматы (7273)495-231
Ангарск (3955)60-70-56
Архангельск (8182)63-90-72
Астрахань (8512)99-46-04
Барнаул (3852)73-04-60
Белгород (4722)40-23-64
Благовещенск (4162)22-76-07
Брянск (4832)59-03-52
Владивосток (423)249-28-31
Владикавказ (8672)28-90-48
Владимир (4922)49-43-18
Волгоград (844)278-03-48
Вологда (8172)26-41-59
Воронеж (473)204-51-73
Екатеринбург (343)384-55-89

Иваново (4932)77-34-06
Ижевск (3412)26-03-58
Иркутск (395)279-98-46
Казань (843)206-01-48
Калининград (4012)72-03-81
Калуга (4842)92-23-67
Кемерово (3842)65-04-62
Киров (8332)68-02-04
Коломна (4966)23-41-49
Кострома (4942)77-07-48
Краснодар (861)203-40-90
Красноярск (391)204-63-61
Курск (4712)77-13-04
Курган (3522)50-90-47
Липецк (4742)52-20-81

Магнитогорск (3519)55-03-13
Москва (495)268-04-70
Мурманск (8152)59-64-93
Набережные Челны (8552)20-53-41
Нижний Новгород (831)429-08-12
Новокузнецк (3843)20-46-81
Ноябрьск (3496)41-32-12
Новосибирск (383)227-86-73
Омск (3812)21-46-40
Орел (4862)44-53-42
Оренбург (3532)37-68-04
Пенза (8412)22-31-16
Петрозаводск (8142)55-98-37
Псков (8112)59-10-37
Пермь (342)205-81-47

Ростов-на-Дону (863)308-18-15
Рязань (4912)46-61-64
Самара (846)206-03-16
Санкт-Петербург (812)309-46-40
Саратов (845)249-38-78
Севастополь (8692)22-31-93
Саранск (8342)22-96-24
Симферополь (3652)67-13-56
Смоленск (4812)29-41-54
Сочи (862)225-72-31
Ставрополь (8652)20-65-13
Сургут (3462)77-98-35
Сыктывкар (8212)25-95-17
Тамбов (4752)50-40-97
Тверь (4822)63-31-35

Тольятти (8482)63-91-07
Томск (3822)98-41-53
Тула (4872)33-79-87
Тюмень (3452)66-21-18
Ульяновск (8422)24-23-59
Улан-Удэ (3012)59-97-51
Уфа (347)229-48-12
Хабаровск (4212)92-98-04
Чебоксары (8352)28-53-07
Челябинск (351)202-03-61
Череповец (8202)49-02-64
Чита (3022)38-34-83
Якутск (4112)23-90-97
Ярославль (4852)69-52-93

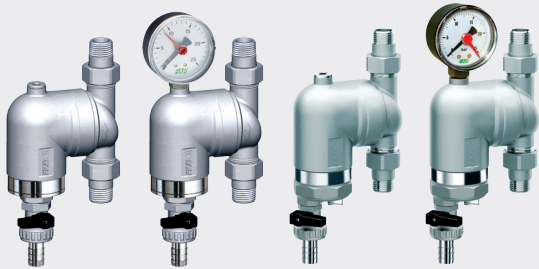
Россия +7(495)268-04-70

Казахстан +7(7172)727-132

Киргизия +996(312)96-26-47

эл.почта: fro@nt-rt.ru || сайт: <https://far.nt-rt.ru/>

ART.39A3 - 39A4 - *39M3 - *39M4



ART.39A5 - 39A6 - *39M5 - *39M6



ART.39A7 - 39A8 - *39M7 - *39M8



- 360° swiveling connections
- Available in 3 filtration levels: 100 μm - 300 μm - 700 μm
- Body in CR brass resistant to dezincification
- Connections: M-M, F-M and F-F
- Available with or without pressure gauge



* The items: 39M3 - 39M4 - 39M5 - 39M6 - 39M7 - 39M8 are equipped with magnetic inserts

1 DESCRIPTION

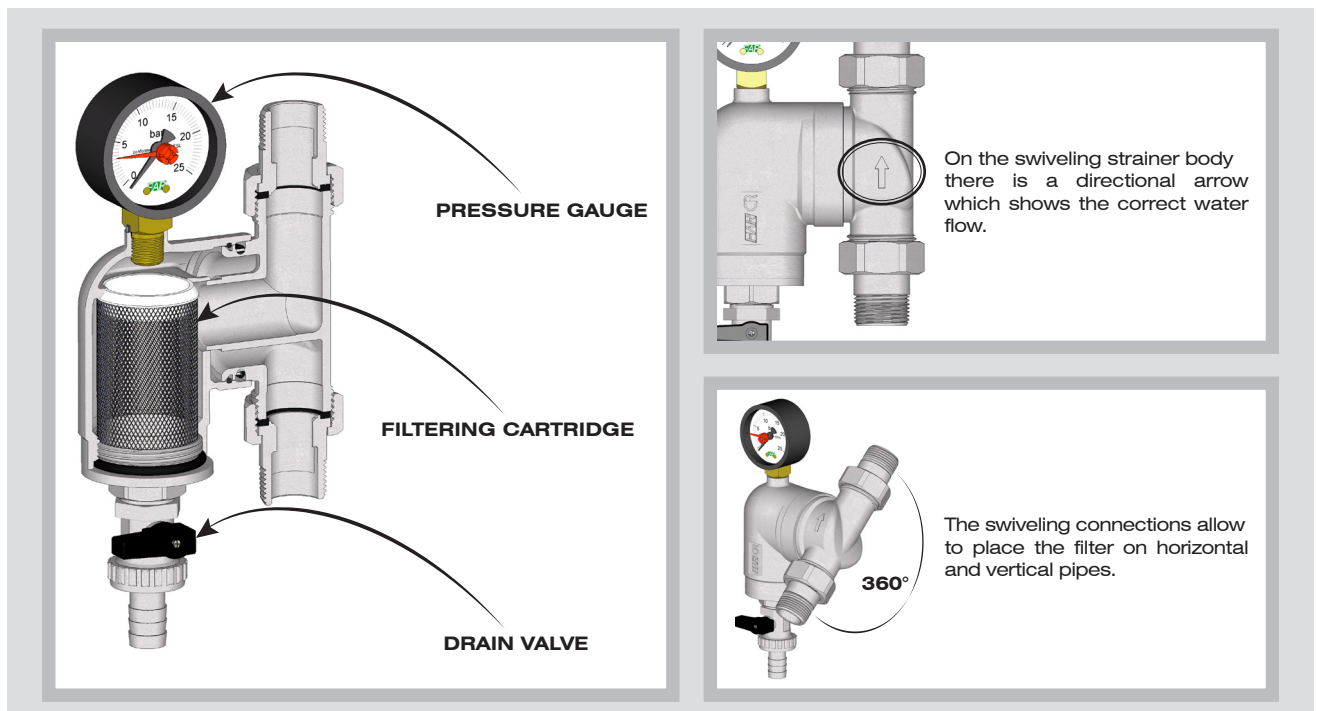
FAR swiveling strainers guarantee an accurate filtering of sanitary water, preserving over time the functioning and the duration of the installed components.

The swiveling connections allow to adapt the position of the filter according to your system requirements.

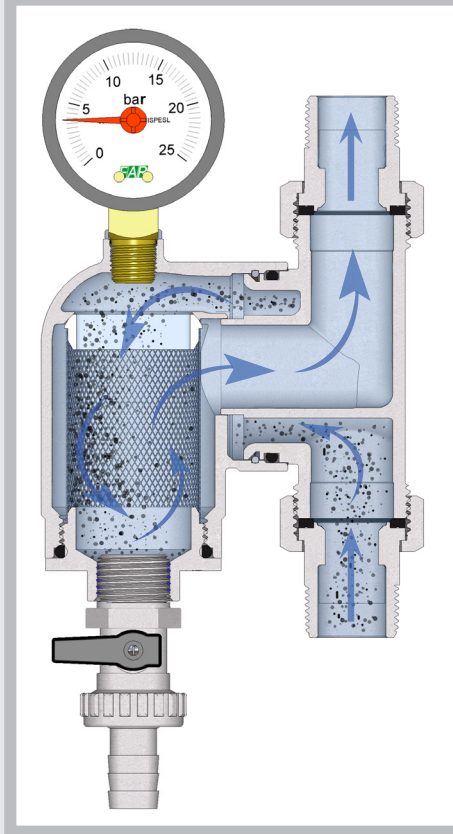
2 CONSTRUCTION DETAILS

The body of the swiveling strainer is made entirely of corrosion-resistant brass for dezincification (CR brass), more resistant than standard brass to the corrosion caused by stagnant or oxygen-rich water and carbon dioxide that can affect the metal. This type of brass therefore guarantees a longer life of the material and the certainty of having cleaner water.

The internal filtering cartridge is made of AISI304 steel, resistant to high temperatures and even in the most unfavorable working conditions.

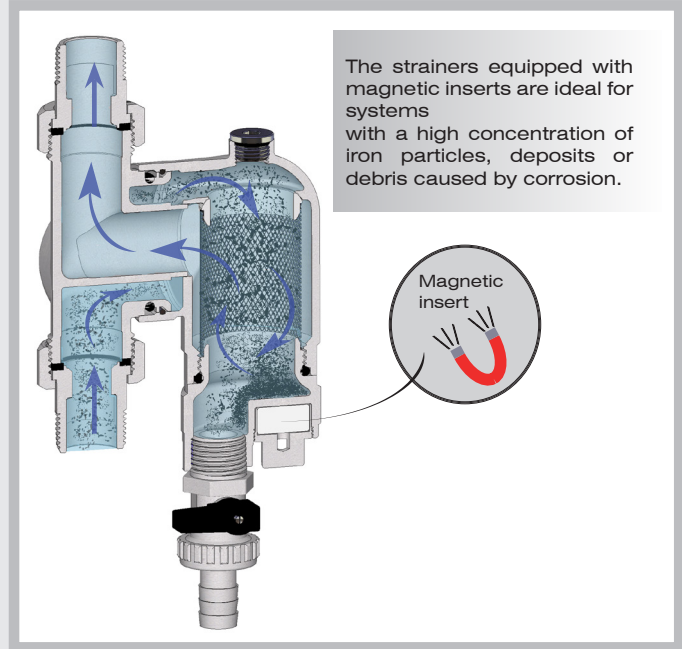


3 WORKING PRINCIPLE



The incoming water follows a guided path entering the filtering net from above and then moves in a radial direction, getting rid of impurities. The particles thus stick to the net or fall down, accumulating near the drain valve.

It's important to clean the strainer periodically in order to grant a perfect functioning.



The strainers equipped with magnetic inserts are ideal for systems with a high concentration of iron particles, deposits or debris caused by corrosion.

4 INSTALLATION



NB: Because of the magnetic inserts, anybody fitted with a pacemaker is advised to maintain a safe distance during operation and maintenance. Attention should also be paid to the use of electronic equipment near magnetic inserts to avoid interference.

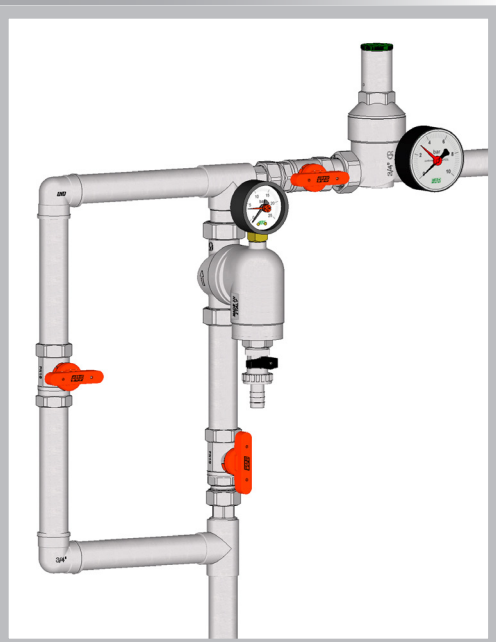
The strainer must be installed at the beginning of the sanitary water system, immediately after the water meter and before the pressure reducing valve.

This allows to protect the sanitary system from impurities that could damage the installed components over time, as well as affect their functioning.

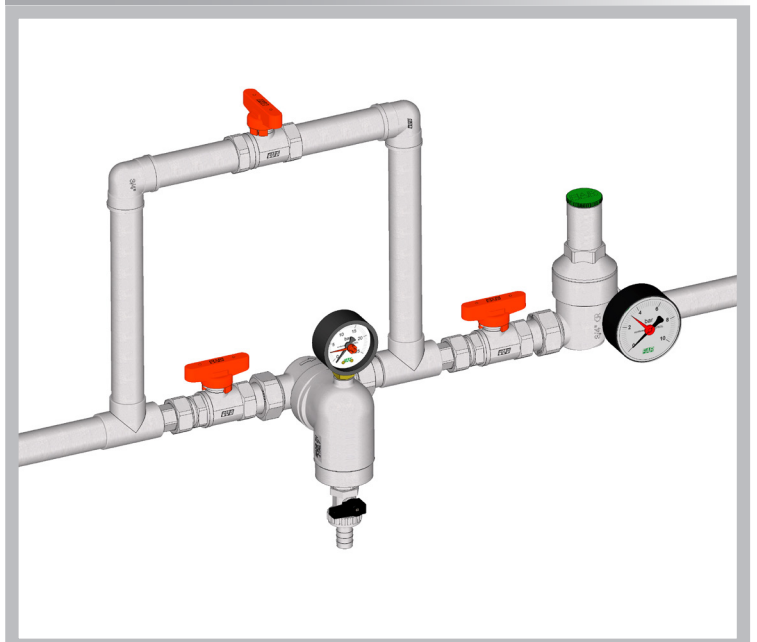
You can see two types of strainer application in the installation examples.

Installing the strainer before the pressure reducing valve guarantees a regular working over time. Furthermore, by providing a by-pass system with ball valves, it is possible to wash the filtering net in countercurrent.

VERTICAL INSTALLATION OVERVIEW



HORIZONTAL INSTALLATION OVERVIEW

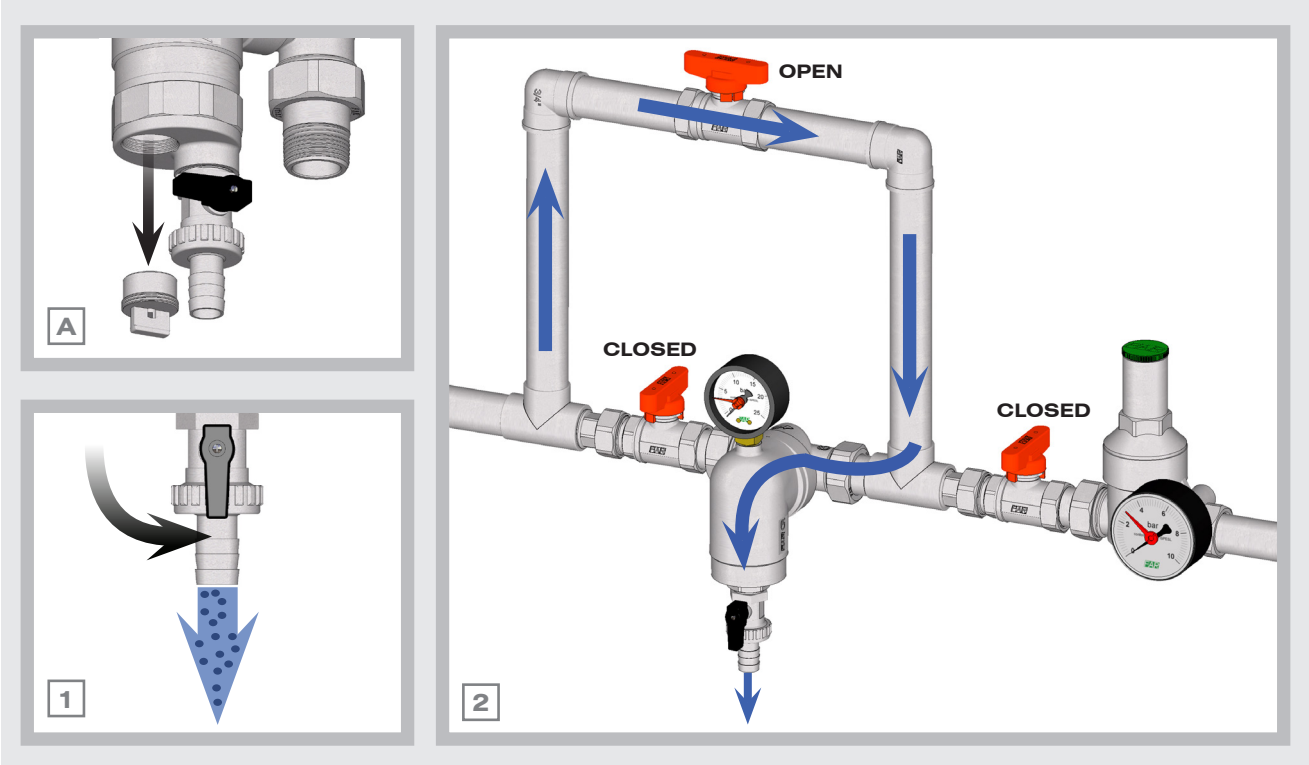


5 MAINTENANCE

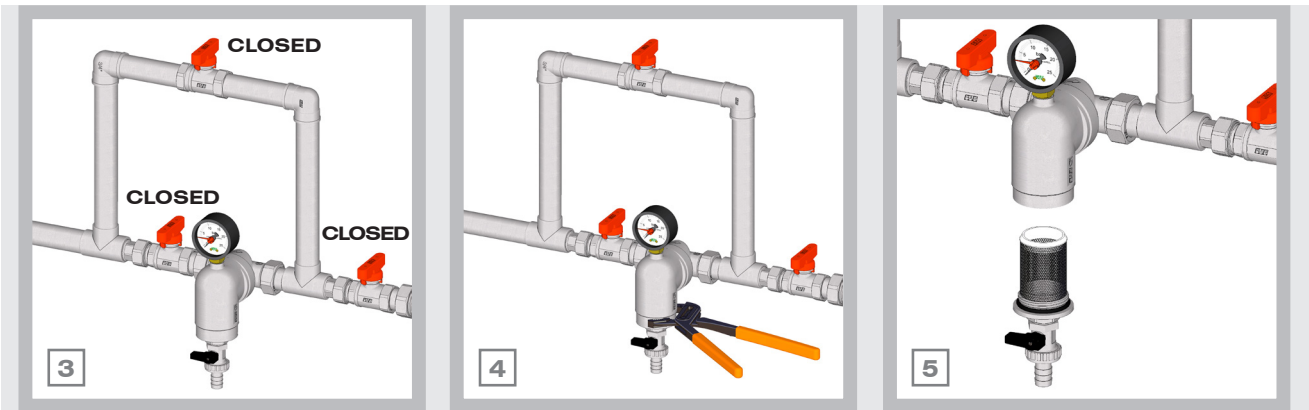


A Before proceeding with maintenance, unscrew the magnet-holders by hand.

Cleaning is made easier by opening the drain cock located in the inferior section and let the water flow out, thus discharging the particles accumulated in the bottom of the strainer (**Fig.1**). It is also possible to wash out the strainer by using a "back-flush" technique (**Fig.2**), which detaches any impurities from the filter mesh faces.



For a more thorough cleaning, once closing the ball valves (**Fig. 3**), unscrew the bottom body of the strainer using a wrench and remove the cartridge (**Fig. 4**). Once removed all the impurities on the filter mesh, reposition the cartridge at the bottom of the strainer and re-tighten it (**Fig. 5**).



6 ACCESSORIES AND SPARE PARTS

ART.2501



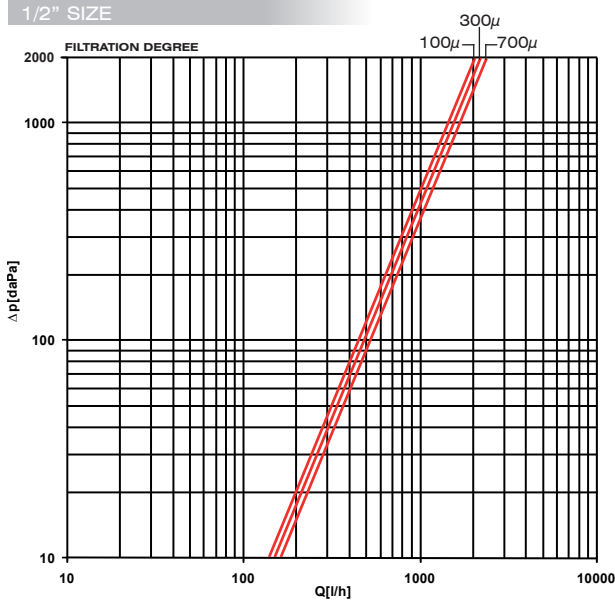
Radial pressure gauge G1/4 Ø 50 mm

ART.3949

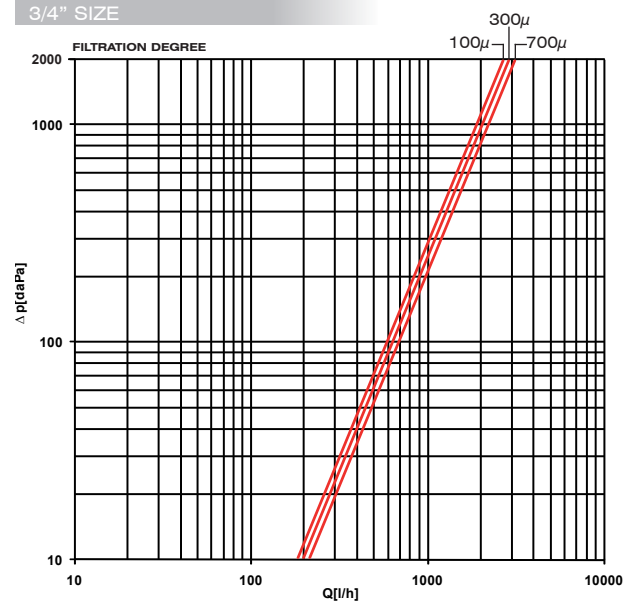


Cartridge available in three filtration levels: 300µm (standard cartridge), 100µm and 700µm

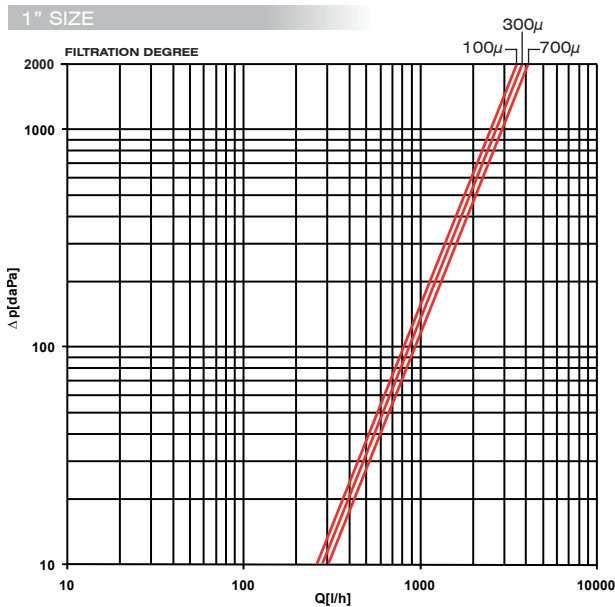
7 FLUID-DYNAMIC FEATURES



Filtration degree	100 μ	*300 μ	700 μ
Kv [m ³ /h]	4,8	4,96	5,15



Filtration degree	100 μ	*300 μ	700 μ
Kv [m ³ /h]	6,2	6,5	6,8



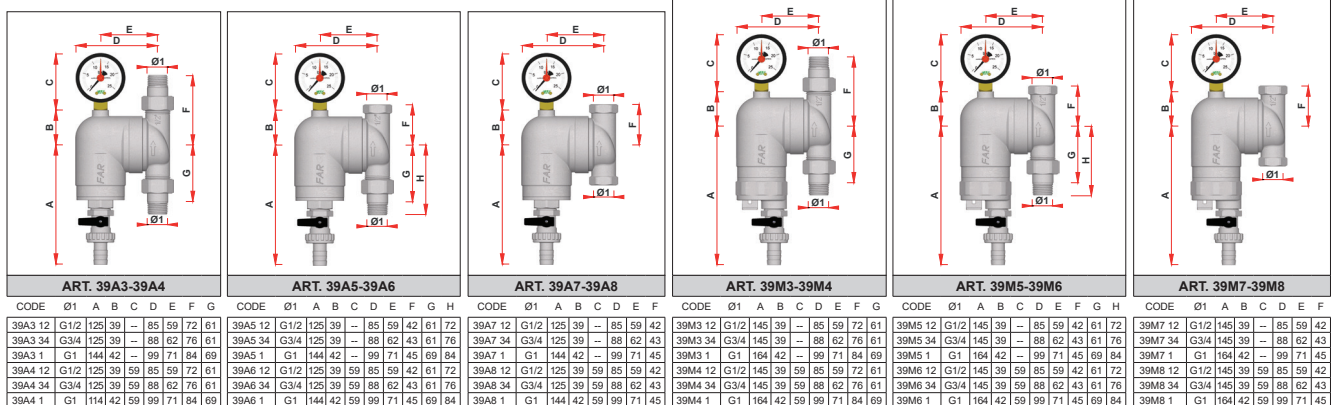
Filtration degree	100 μ	*300 μ	700 μ
Kv [m ³ /h]	8,4	8,6	8,8

*Standard cartridge

B TECHNICAL FEATURES AND DIMENSIONAL FEATURES

Body: CC752S CR brass (resistant to dezincification)
 Lower cock: CW617N brass
 Filtering cartridge : AISI304 steel

O-Ring: EPDM
 Max. working temperature: 95°C
 Nominal pressure: 25 bar



По вопросам продаж и поддержки обращайтесь:

Алматы (7273)495-231
Ангарск (3955)60-70-56
Архангельск (8182)63-90-72
Астрахань (8512)99-46-04
Барнаул (3852)73-04-60
Белгород (4722)40-23-64
Благовещенск (4162)22-76-07
Брянск (4832)59-03-52
Владивосток (423)249-28-31
Владикавказ (8672)28-90-48
Владимир (4922)49-43-18
Волгоград (844)278-03-48
Вологда (8172)26-41-59
Воронеж (473)204-51-73
Екатеринбург (343)384-55-89

Иваново (4932)77-34-06
Ижевск (3412)26-03-58
Иркутск (395)279-98-46
Казань (843)206-01-48
Калининград (4012)72-03-81
Калуга (4842)92-23-67
Кемерово (3842)65-04-62
Киров (8332)68-02-04
Коломна (4966)23-41-49
Кострома (4942)77-07-48
Краснодар (861)203-40-90
Красноярск (391)204-63-61
Курск (4712)77-13-04
Курган (3522)50-90-47
Липецк (4742)52-20-81

Магнитогорск (3519)55-03-13
Москва (495)268-04-70
Мурманск (8152)59-64-93
Набережные Челны (8552)20-53-41
Нижний Новгород (831)429-08-12
Новокузнецк (3843)20-46-81
Ноябрьск (3496)41-32-12
Новосибирск (383)227-86-73
Омск (3812)21-46-40
Орел (4862)44-53-42
Оренбург (3532)37-68-04
Пенза (8412)22-31-16
Петрозаводск (8142)55-98-37
Псков (8112)59-10-37
Пермь (342)205-81-47

Ростов-на-Дону (863)308-18-15
Рязань (4912)46-61-64
Самара (846)206-03-16
Санкт-Петербург (812)309-46-40
Саратов (845)249-38-78
Севастополь (8692)22-31-93
Саранск (8342)22-96-24
Симферополь (3652)67-13-56
Смоленск (4812)29-41-54
Сочи (862)225-72-31
Ставрополь (8652)20-65-13
Сургут (3462)77-98-35
Сыктывкар (8212)25-95-17
Тамбов (4752)50-40-97
Тверь (4822)63-31-35

Тольятти (8482)63-91-07
Томск (3822)98-41-53
Тула (4872)33-79-87
Тюмень (3452)66-21-18
Ульяновск (8422)24-23-59
Улан-Уда (3012)59-97-51
Уфа (347)229-48-12
Хабаровск (4212)92-98-04
Чебоксары (8352)28-53-07
Челябинск (351)202-03-61
Череповец (8202)49-02-64
Чита (3022)38-34-83
Якутск (4112)23-90-97
Ярославль (4852)69-52-93

Россия +7(495)268-04-70

Казахстан +7(7172)727-132

Киргизия +996(312)96-26-47

эл.почта: fro@nt-rt.ru || сайт: <https://far.nt-rt.ru/>