

Одно-двухтрубные клапаны 0261- 0264, 0265-0285, 0281-0282, 0266-0267

Технические характеристики

По вопросам продаж и поддержки обращайтесь:

Алматы (7273)495-231
Ангарск (3955)60-70-56
Архангельск (8182)63-90-72
Астрахань (8512)99-46-04
Барнаул (3852)73-04-60
Белгород (4722)40-23-64
Благовещенск (4162)22-76-07
Брянск (4832)59-03-52
Владивосток (423)249-28-31
Владикавказ (8672)28-90-48
Владимир (4922)49-43-18
Волгоград (844)278-03-48
Вологда (8172)26-41-59
Воронеж (473)204-51-73
Екатеринбург (343)384-55-89

Иваново (4932)77-34-06
Ижевск (3412)26-03-58
Иркутск (395)279-98-46
Казань (843)206-01-48
Калининград (4012)72-03-81
Калуга (4842)92-23-67
Кемерово (3842)65-04-62
Киров (8332)68-02-04
Коломна (4966)23-41-49
Кострома (4942)77-07-48
Краснодар (861)203-40-90
Красноярск (391)204-63-61
Курск (4712)77-13-04
Курган (3522)50-90-47
Липецк (4742)52-20-81

Магнитогорск (3519)55-03-13
Москва (495)268-04-70
Мурманск (8152)59-64-93
Набережные Челны (8552)20-53-41
Нижегород (831)429-08-12
Новокузнецк (3843)20-46-81
Ноябрьск (3496)41-32-12
Новосибирск (383)227-86-73
Омск (3812)21-46-40
Орел (4862)44-53-42
Оренбург (3532)37-68-04
Пенза (8412)22-31-16
Петрозаводск (8142)55-98-37
Псков (8112)59-10-37
Пермь (342)205-81-47

Ростов-на-Дону (863)308-18-15
Рязань (4912)46-61-64
Самара (846)206-03-16
Санкт-Петербург (812)309-46-40
Саратов (845)249-38-78
Севастополь (8692)22-31-93
Саранск (8342)22-96-24
Симферополь (3652)67-13-56
Смоленск (4812)29-41-54
Сочи (862)225-72-31
Ставрополь (8652)20-65-13
Сургут (3462)77-98-35
Сыктывкар (8212)25-95-17
Тамбов (4752)50-40-97
Тверь (4822)63-31-35

Тольятти (8482)63-91-07
Томск (3822)98-41-53
Тула (4872)33-79-87
Тюмень (3452)66-21-18
Ульяновск (8422)24-23-59
Улан-Удэ (3012)59-97-51
Уфа (347)229-48-12
Хабаровск (4212)92-98-04
Чебоксары (8352)28-53-07
Челябинск (351)202-03-61
Череповец (8202)49-02-64
Чита (3022)38-34-83
Якутск (4112)23-90-97
Ярославль (4852)69-52-93

Россия +7(495)268-04-70

Казахстан +7(7172)727-132

Киргизия +996(312)96-26-47

эл.почта: fro@nt-rt.ru || сайт: <https://far.nt-rt.ru/>

Top FAR

ART.0261-0262



SINGLE / DOUBLE PIPE

ART.0263-0264



SINGLE / DOUBLE PIPE

ART.0266-0267



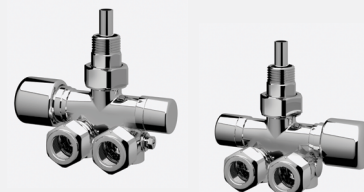
SINGLE / DOUBLE PIPE

ART.0268-0269



SINGLE / DOUBLE PIPE

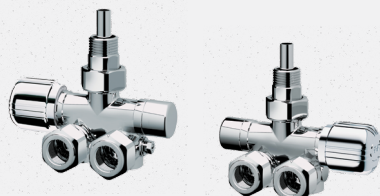
ART.0286-0288



SINGLE / DOUBLE PIPE

Lady FAR

ART.0281-0282



SINGLE / DOUBLE PIPE

ART.0265-0285



SINGLE-PIPE

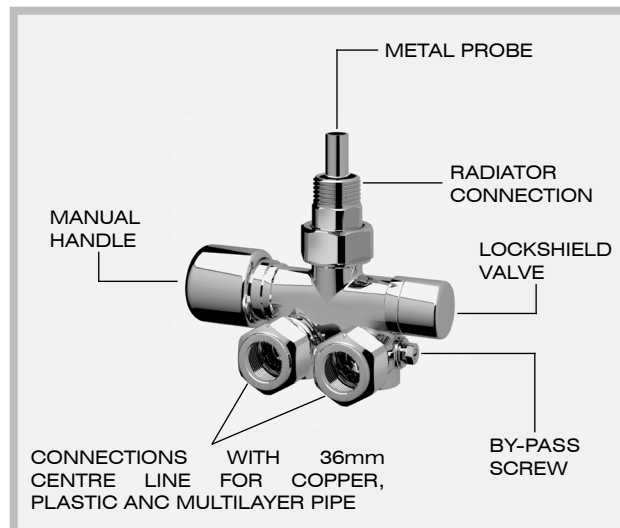
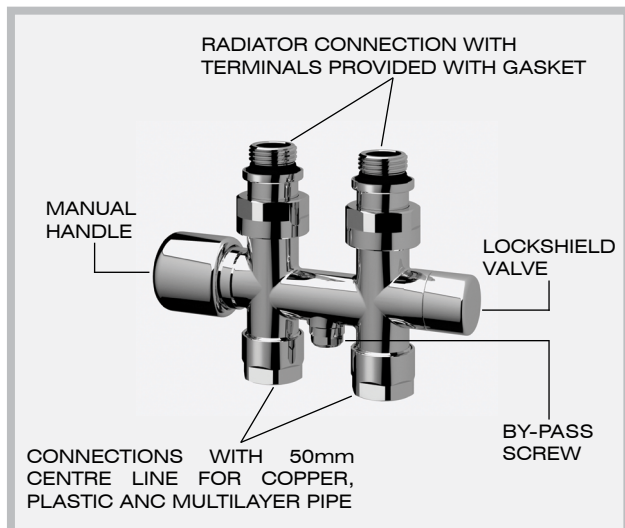
DOUBLE-PIPE

The valves art.0262-0264-0267-0269-0286-0288-0281-0282-0265-0285 are supplied with chrome-plated Ø16 mm nuts.

1 DESCRIPTION

The single/double pipe valves for design radiators are available both in the double-connection version with 50mm centre line and in the version with central probe. On the valve body there is a screw for by-pass regulation that allows to adapt the valve for single-pipe systems (unscrewing it counterclockwise) and double-pipe systems (screwing it completely clockwise). On both sides there are the lockshield valve and the manual handle for the opening and closing of the valve, which can be removed to install the thermostatic control **art.1827**.

LadyFAR valves are also available with lateral connection in single-pipe version, **art.0265**, and double-pipe version, **art.0285**.



2 INSTALLATION

SINGLE/DOUBLE PIPE VALVES WITH 50mm CENTRE LINE

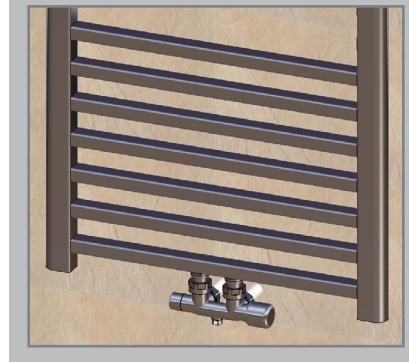
SINGLE-PIPE

The valve is supplied in single-pipe configuration, i.e. with the by-pass fully open. The valve in single-pipe configuration is reversible, i.e. supply pipes can be connected to both inlets, indifferently

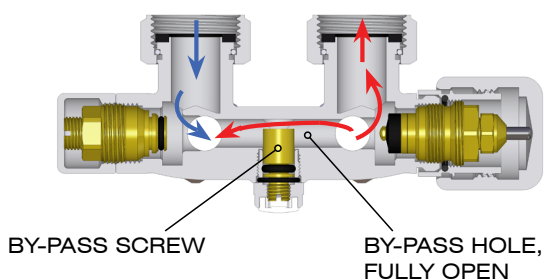
DOUBLE-PIPE

In order to change the valve configuration from single-pipe to double-pipe, close the by-pass screw.

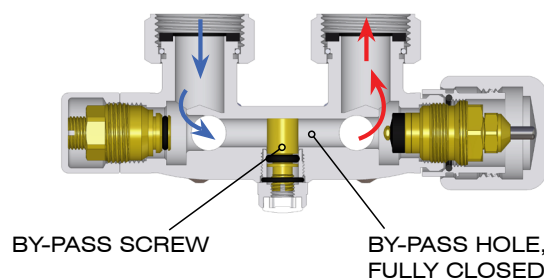
When the valve is in double-pipe configuration, it must be installed with the water inlet connection always placed on the thermostatic valve side, in order to avoid noisiness in case of automatic operation (by using a thermostatic head).



SINGLE-PIPE



DOUBLE-PIPE



SINGLE/DOUBLE PIPE VALVES WITH CENTRAL CONNECTION

SINGLE-PIPE

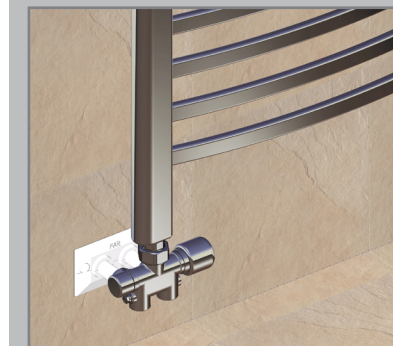
The valve is supplied in single-pipe configuration, i.e. with the by-pass fully open. The valve in single-pipe configuration is reversible, i.e. supply pipes can be connected to both inlets, indifferently.

However, for a better water circulation inside the radiator, it is advisable to install the valve with the flow connection on the lockshield valve side, so that the radiator is directly supplied by the probe. Before inserting the probe, make sure that the flow separator is positioned as shown in the figure below.

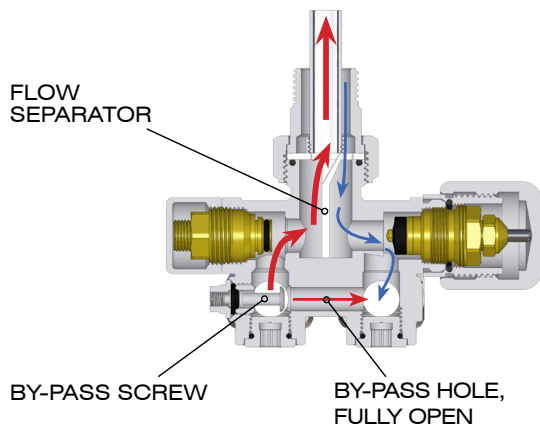
DOUBLE-PIPE

In order to change the valve configuration from single-pipe to double-pipe, close the by-pass screw.

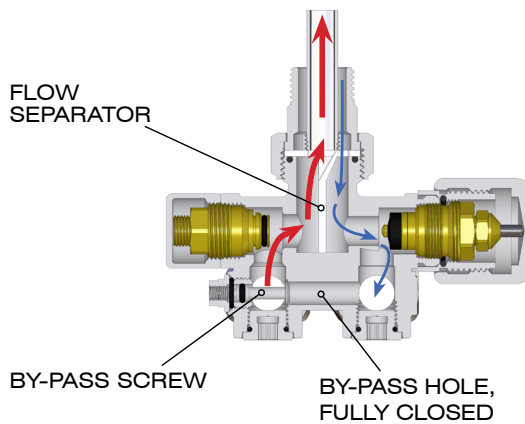
When the valve is in double-pipe configuration, it must be installed with the water inlet connection always placed on the lockshield valve side, in order to avoid noisiness in case of automatic operation (by using a thermostatic head).



SINGLE-PIPE



DOUBLE-PIPE



SINGLE-PIPE AND DOUBLE-PIPE VALVES FOR RADIATORS WITH LATERAL CONNECTION

ART. 0265 SINGLE-PIPE VALVE

The ladyFAR single-pipe valve is reversible, so it is indifferent to connect the delivery on the right or left connection.

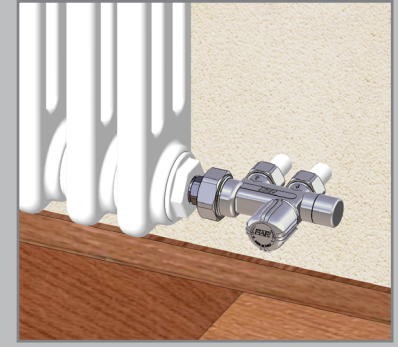
The reversible connections (double arrow) and the type of valve (SINGLE-PIPE) are indicated on the valve body.



ART. 0285 DOUBLE-PIPE VALVE

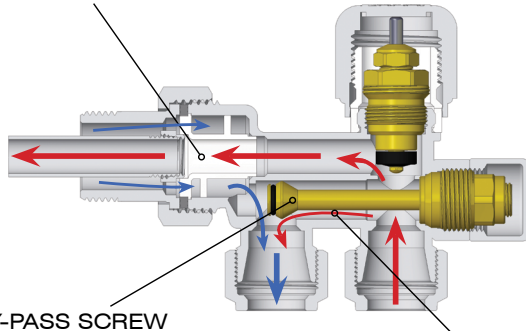
The ladyFAR double-pipe valve must be installed with the delivery on the lockshield valve side, to avoid noisiness in the system.

For an easy installation, on the valve body there are the arrows indicating where to connect the delivery and return.



ART.0265 SINGLE-PIPE VALVE

FLOW SEPARATOR



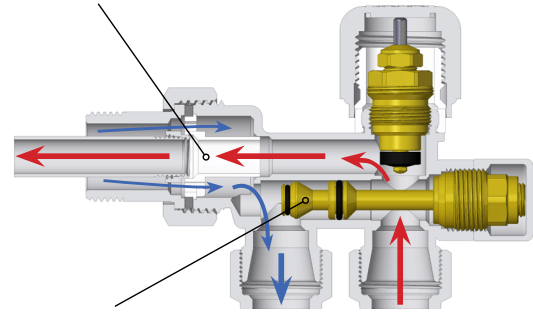
BY-PASS SCREW

REVERSIBLE DELIVERY AND RETURN

BY-PASS HOLE, FULLY OPEN

ART. 0285 DOUBLE-PIPE VALVE

FLOW SEPARATOR



REGULATING LOCKSHIELD VALVE

2.1 ADAPTERS AND SEALING KIT

ADAPTERS FOR PIPES UP TO Ø16 mm

ART.6050

Kit for plastic pipes suitable for all our articles with 24x19 interchangeable connection.



NB. The Ø16 nut is already provided with all products with copper connection.

ART.6053

Kit for multilayer pipes suitable for all our articles with 24x19 interchangeable connection.



NB. The Ø16 nut is already provided with all products with copper connection.

ART.8430

Kit for Ø10-12-14 copper pipes suitable for all our articles with 24x19 interchangeable connection.



NB. The Ø16 nut is already provided with all products with copper connection.

ART.8431

Kit for Ø15-16 copper pipes suitable for all our articles with 24x19 interchangeable connection.



NB. The Ø16 nut is already provided with all products with copper connection.

ADAPTERS FOR PIPES OVER Ø16 mm

ART.0425

Lady FAR

Kit for plastic pipes suitable for all our articles with 24x19 interchangeable connection. Complete with LadyFar nut.



ART.0435

Lady FAR

Kit for multilayer pipes suitable for all our articles with 24x19 interchangeable connection. Complete with LadyFar nut.



ART.0436

Top FAR

Kit for multilayer pipes suitable for all our articles with 24x19 interchangeable connection. Complete with TopFar nut



On request, valves with sealing kit for Ø18 mm copper pipes are available.

3 THERMOSTATIC HEAD



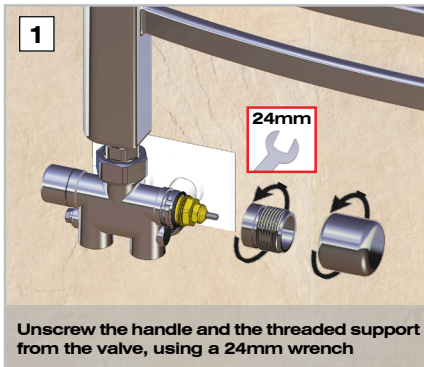
ART.1827

The FAR thermostatic head automatically adjusts room temperature by means of a sensor with a liquid-filled element, which detects temperature variations and opens, or closes the valve on which it is installed.

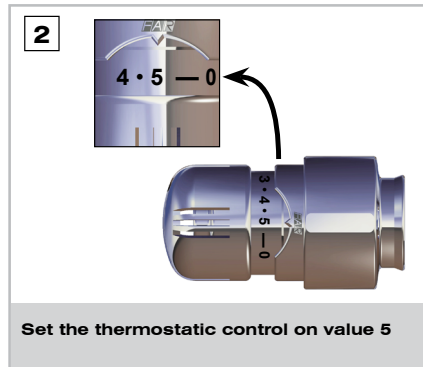
For the adjustment and further technical specifications see data sheet ST.07.02.00



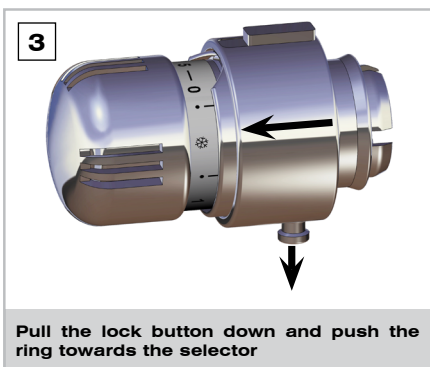
Installation overview of valve art.0286 with thermostatic control art.1827



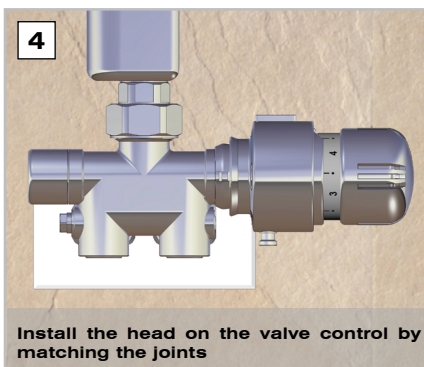
1 Unscrew the handle and the threaded support from the valve, using a 24mm wrench



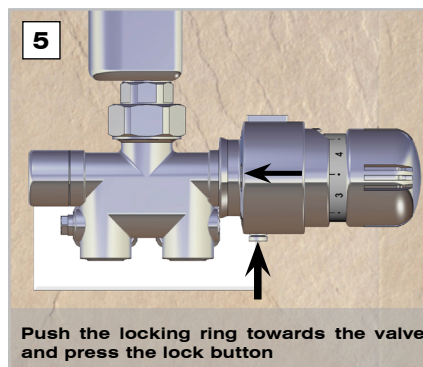
2 Set the thermostatic control on value 5



3 Pull the lock button down and push the ring towards the selector



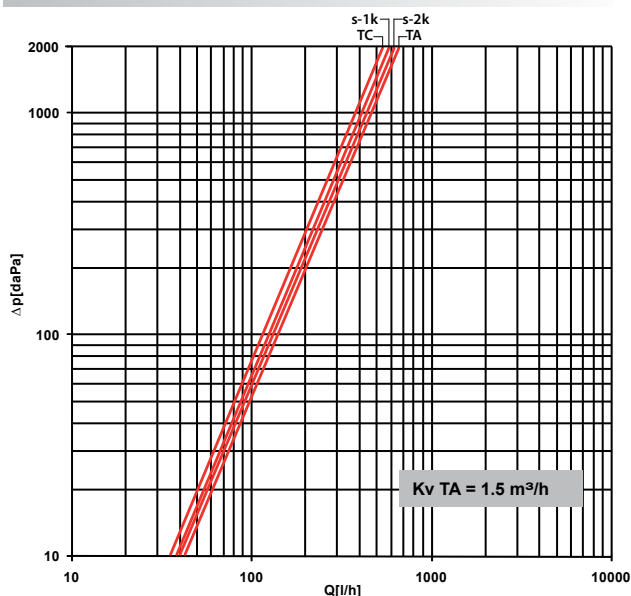
4 Install the head on the valve control by matching the joints



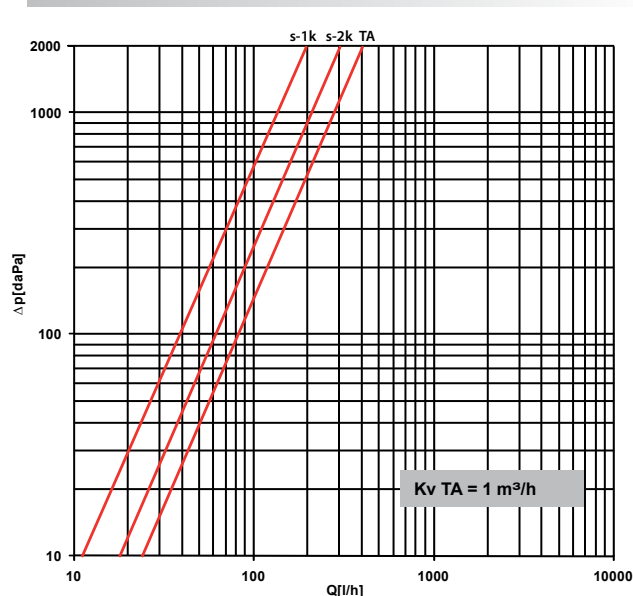
5 Push the locking ring towards the valve and press the lock button

4 FLUID DYNAMIC FEATURES

Art.0261-0262-0263-0264 single-pipe



Art.0261-0262-0263-0264 double-pipe

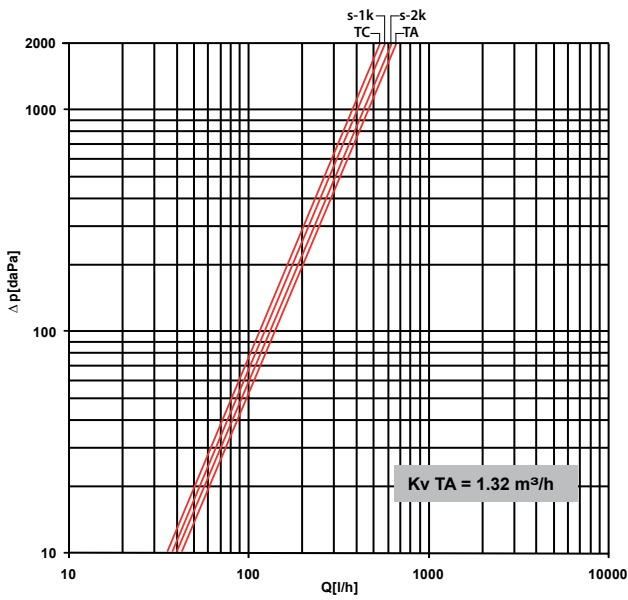


Legend

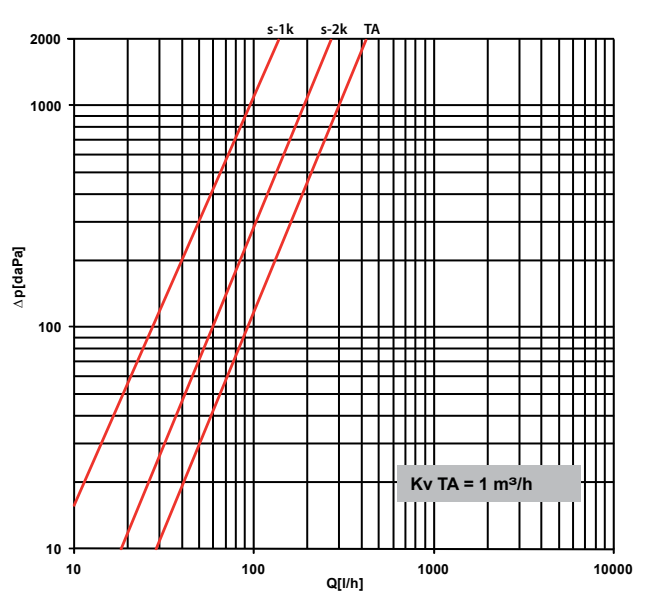
Kv= flow rate with pressure drop of 1 bar

TA= Fully open valve
TC= Totally closed valve

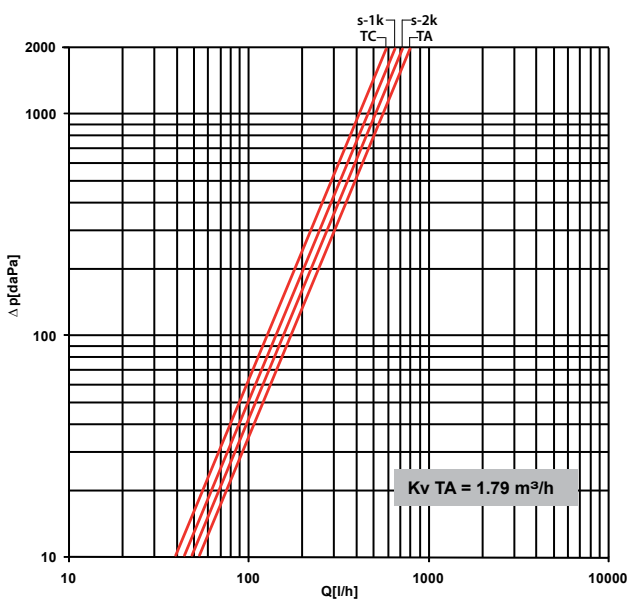
Art.0266-0267-0268-0269 single-pipe



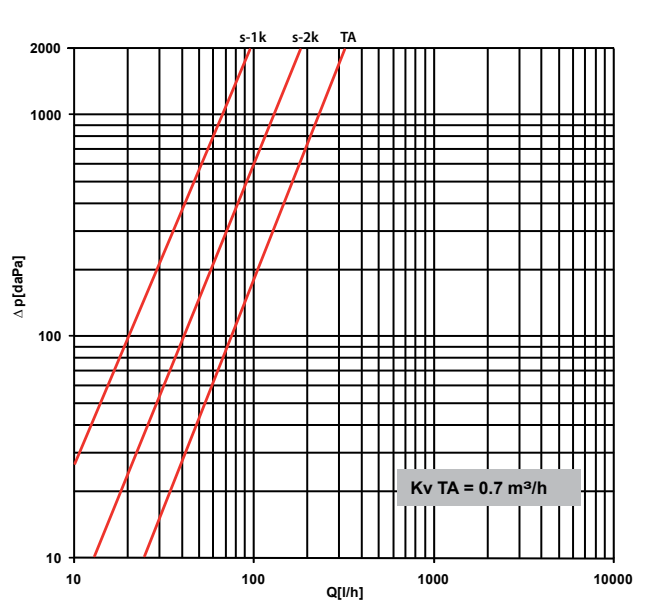
Art.0266-0267-0268-0269 double-pipe



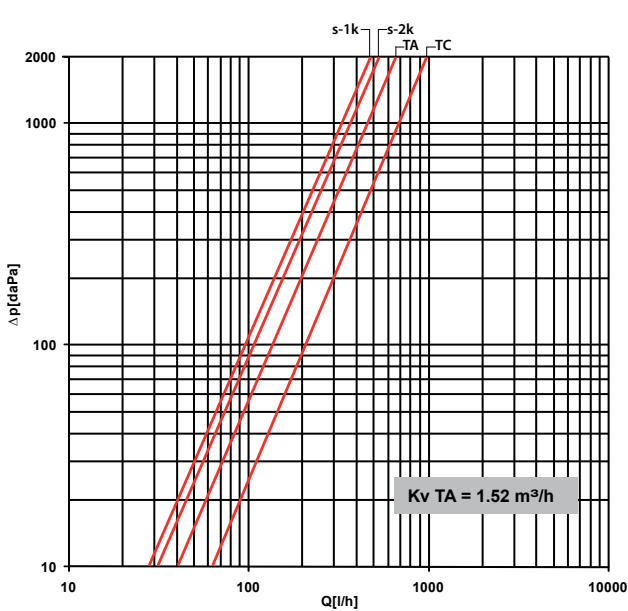
Art.0286-0288-0281-0282 single-pipe



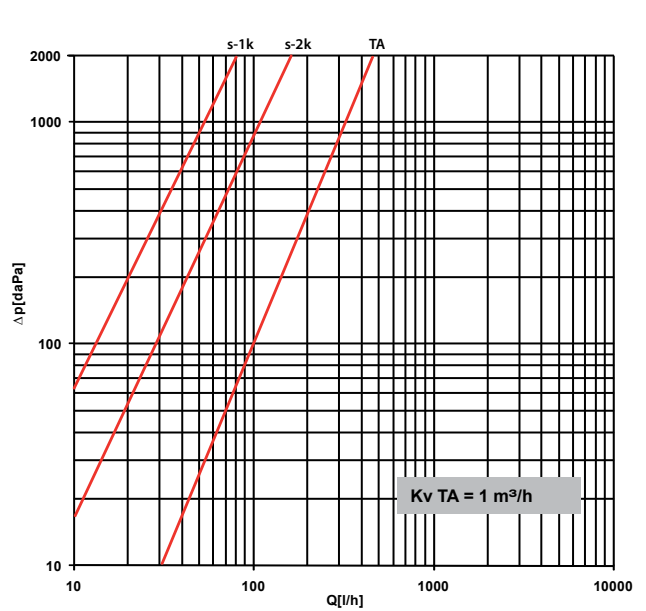
Art.0286-0288-0281-0282 double-pipe



Art.0265 single-pipe



Art.0285 double-pipe

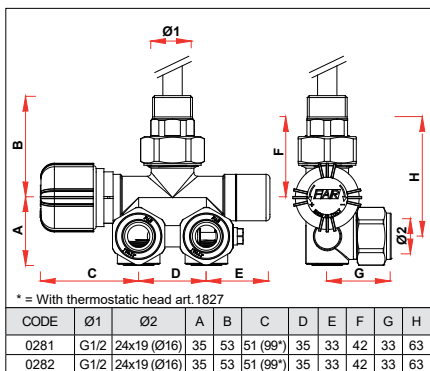
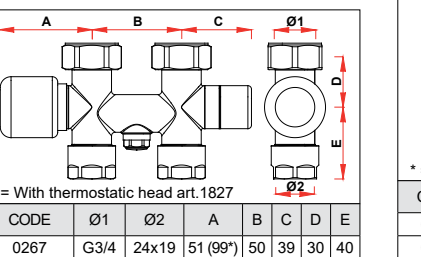
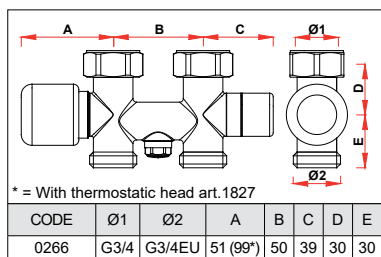
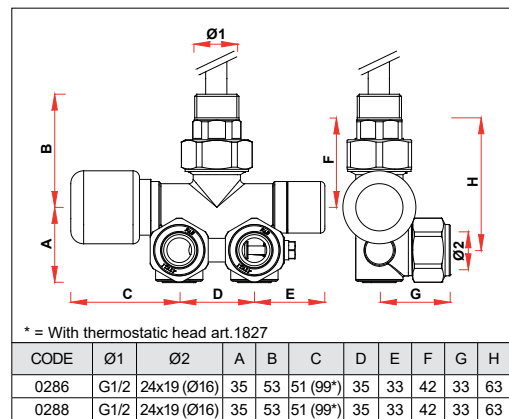
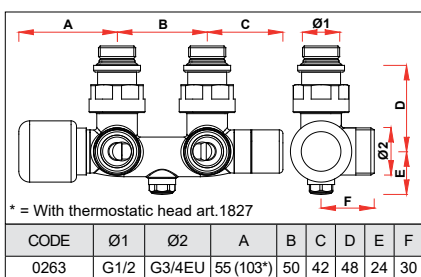
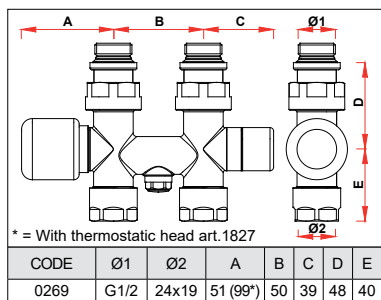
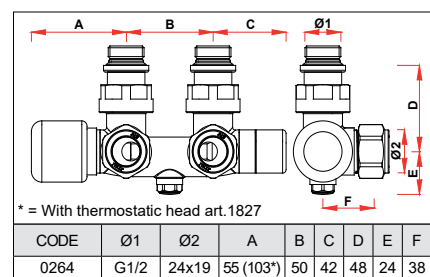
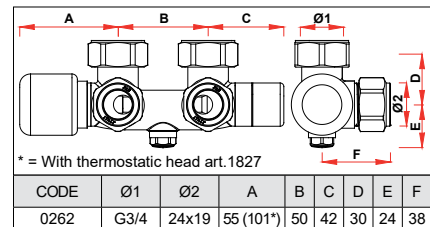
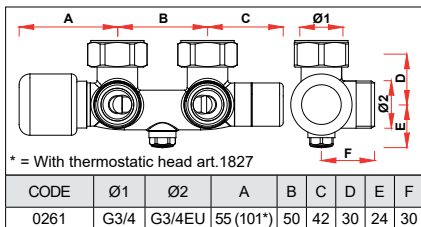
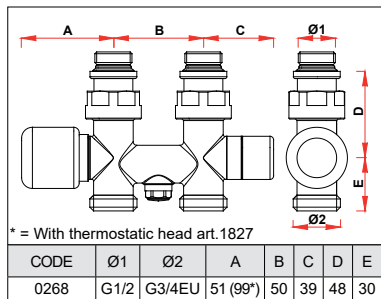


5 TECHNICAL FEATURES

Nominal pressure: 10 bar
 Max. working temperature: 95°C
 Usable fluids: water and water with glycol

Valve body: CW617N brass
 Gaskets, O-rings: EPDM

6 DIMENSIONAL FEATURES



По вопросам продаж и поддержки обращайтесь:

Алматы (7273)495-231
Ангарск (3955)60-70-56
Архангельск (8182)63-90-72
Астрахань (8512)99-46-04
Барнаул (3852)73-04-60
Белгород (4722)40-23-64
Благовещенск (4162)22-76-07
Брянск (4832)59-03-52
Владивосток (423)249-28-31
Владикавказ (8672)28-90-48
Владимир (4922)49-43-18
Волгоград (844)278-03-48
Вологда (8172)26-41-59
Воронеж (473)204-51-73
Екатеринбург (343)384-55-89

Иваново (4932)77-34-06
Ижевск (3412)26-03-58
Иркутск (395)279-98-46
Казань (843)206-01-48
Калининград (4012)72-03-81
Калуга (4842)92-23-67
Кемерово (3842)65-04-62
Киров (8332)68-02-04
Коломна (4966)23-41-49
Кострома (4942)77-07-48
Краснодар (861)203-40-90
Красноярск (391)204-63-61
Курск (4712)77-13-04
Курган (3522)50-90-47
Липецк (4742)52-20-81

Магнитогорск (3519)55-03-13
Москва (495)268-04-70
Мурманск (8152)59-64-93
Набережные Челны (8552)20-53-41
Нижний Новгород (831)429-08-12
Новокузнецк (3843)20-46-81
Ноябрьск (3496)41-32-12
Новосибирск (383)227-86-73
Омск (3812)21-46-40
Орел (4862)44-53-42
Оренбург (3532)37-68-04
Пенза (8412)22-31-16
Петрозаводск (8142)55-98-37
Псков (8112)59-10-37
Пермь (342)205-81-47

Ростов-на-Дону (863)308-18-15
Рязань (4912)46-61-64
Самара (846)206-03-16
Санкт-Петербург (812)309-46-40
Саратов (845)249-38-78
Севастополь (8692)22-31-93
Саранск (8342)22-96-24
Симферополь (3652)67-13-56
Смоленск (4812)29-41-54
Сочи (862)225-72-31
Ставрополь (8652)20-65-13
Сургут (3462)77-98-35
Сыктывкар (8212)25-95-17
Тамбов (4752)50-40-97
Тверь (4822)63-31-35

Тольятти (8482)63-91-07
Томск (3822)98-41-53
Тула (4872)33-79-87
Тюмень (3452)66-21-18
Ульяновск (8422)24-23-59
Улан-Уда (3012)59-97-51
Уфа (347)229-48-12
Хабаровск (4212)92-98-04
Чебоксары (8352)28-53-07
Челябинск (351)202-03-61
Череповец (8202)49-02-64
Чита (3022)38-34-83
Якутск (4112)23-90-97
Ярославль (4852)69-52-93

Россия +7(495)268-04-70

Казахстан +7(7172)727-132

Киргизия +996(312)96-26-47

эл.почта: fro@nt-rt.ru || сайт: <https://far.nt-rt.ru/>